

## Stainless Steel Sinks



Part #	Model #	Description (Size)	MAKE SELECTION BELOW
<b>SINGLE BOWL KITCHEN SINK (25" x 22" x 5")</b>			
H75011	HPAKS252253	22 GAUGE 3 HOLE	<input type="checkbox"/>
H75012	HPAKS252254	22 GAUGE 4 HOLE	<input type="checkbox"/>

**Installation Type:** Drop In

**Material:** 304 Stainless Steel

**Gauge:** 23

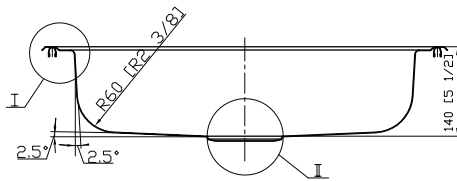
**Number of Bowls:** 1

**Sink Dimenions:** 25" x 22" x 5"

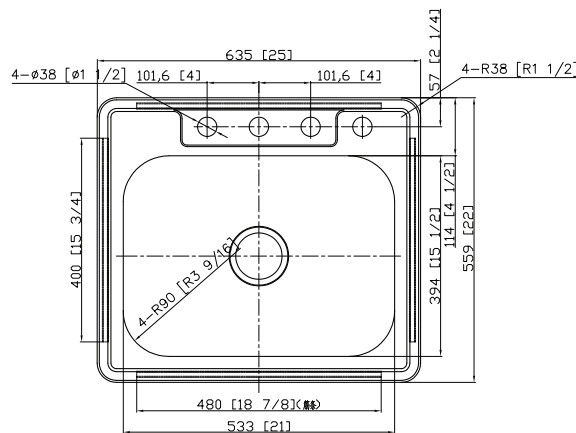
**Drain Location:** Center

**Cutout Template:** 3 HOLE | 4 HOLE

**Cutout Dimension:** N/A



### ADDITIONAL STAINLESS STEEL SINK DETAILS & INFORMATION



- One piece drawing, no welding and no center seam
- 304 Stainless Steel
- Meets UPC standards
- Sound deadening pads

**JOB NAME:**

**JOB LOCATION:**

**CONTRACTOR:**

**DATE:**

**ENGINEER APPROVAL:**

**DATE:**

**ITEM TAG:**

**PART NUMBER:**



Complies with ADA & ICC A117.1 accessibility requirements when installed according to the requirements outlined in these standards.



Sinks are listed by IAPMO® as meeting the applicable requirements of the Uniform Plumbing Code®, International Plumbing Code®, and National Plumbing Code of Canada.

## Stainless Steel Sinks



Part #	Model #	Description (Size)	MAKE SELECTION BELOW
<b>SINGLE BOWL KITCHEN SINK (25" x 22" x 5")</b>			
H75011	HPAKS252253	22 GAUGE 3 HOLE	<input type="checkbox"/>
H75012	HPAKS252254	22 GAUGE 4 HOLE	<input type="checkbox"/>

**Installation Type:** Drop In

**Material:** 304 Stainless Steel

**Gauge:** 23

**Number of Bowls:** 1

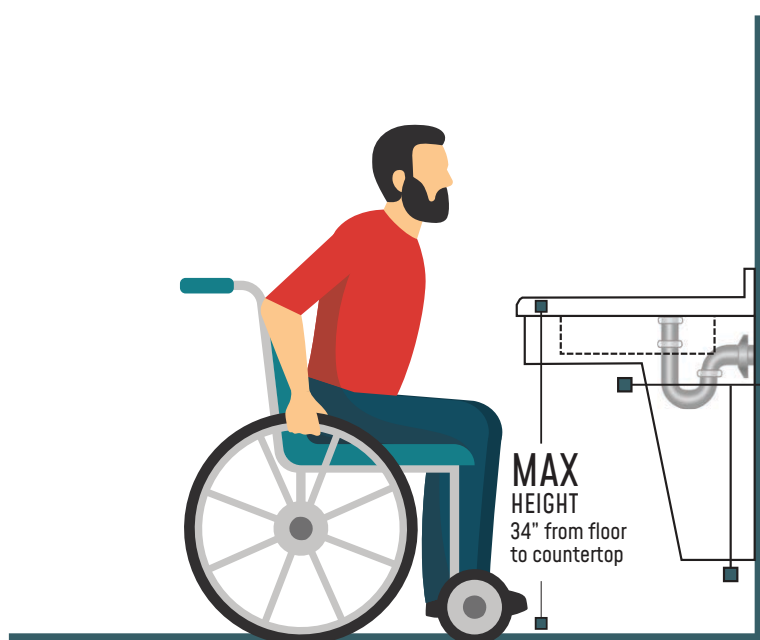
**Sink Dimenions:** 25" x 22" x 5"

**Drain Location:** Center

**Cutout Template:** 3 HOLE | 4 HOLE

**Cutout Dimension:** N/A

## SPACIAL CONSIDERATIONS & REQUIREMENTS



### OPEN SPACE

**KNEE:** Min. 27" from floor and 8" from countertop front edge. Slope 1" depth max. per 6" height.

**TOE:** Min. 9" from floor and 17" min. from countertop front edge. Slope 1" depth max. per 6" height.

**FLOOR:** 30" min. width.