

19" ROUND DROP-IN LAVATORY



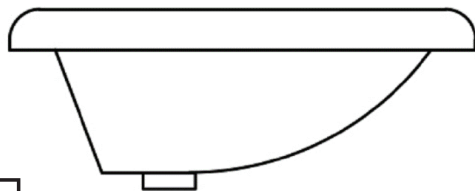
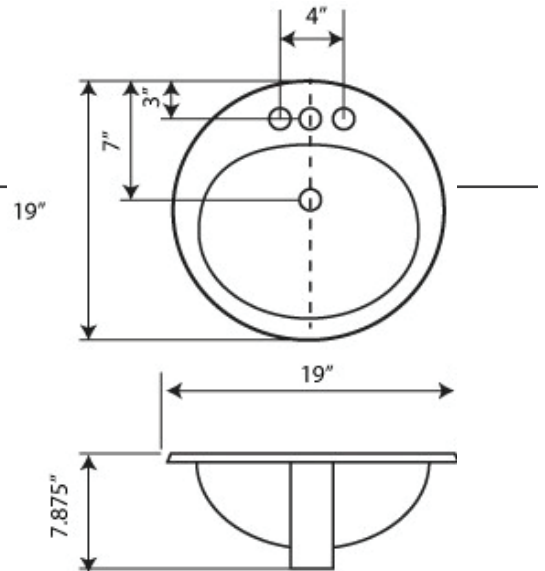
PART #	MODEL #	DESCRIPTION (SIZE)	INNER CARTON QTY.	PALLET QTY.	SELECT MODEL BELOW
ROUND DROP-IN LAVATORY (19" x 19")					
H49232	LAVR19	19" x 19" ROUND DROP-IN LAVATORY (WHITE)	1	45	<input type="checkbox"/>
H49233	LAVR19B	19" x 19" ROUND DROP-IN LAVATORY (WHITE)	1	45	<input type="checkbox"/>

PRODUCT DETAILS & DIMENSIONS



- Vitreous China
- Self Rimming Drop-in
- UPC Approved
- Front Overflow

- **Overall Size:** 19" x 19"
- **Depth:** 8"



19"

Product certified by IAPMO to meet standards ASME A112.19.2-2018/CSA B45.1-18, cUPC approved.

JOB NAME: _____

JOB LOCATION: _____

CONTRACTOR: _____ DATE: _____

ITEM TAG: _____

ENGINEER APPROVAL: _____ DATE: _____

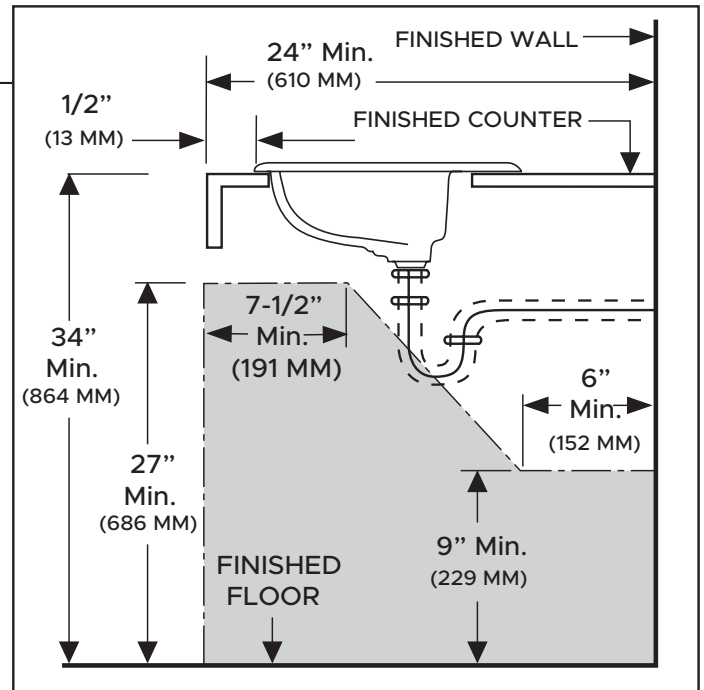
PART NUMBER: _____

19" ROUND DROP-IN LAVATORY



PART #	MODEL #	DESCRIPTION (SIZE)	INNER CARTON QTY.	PALLET QTY.	SELECT MODEL BELOW
ROUND DROP-IN LAVATORY (19" x 19")					
H49232	LAVR19	19" x 19" ROUND DROP-IN LAVATORY (WHITE)	1	45	<input type="checkbox"/>
H49233	LAVR19B	19" x 19" ROUND DROP-IN LAVATORY (WHITE)	1	45	<input type="checkbox"/>

ADA INSTALLATION



ADA COMPLIANT

Product certified by IAPMO to meet standards ASME A112.19.2-2018/CSA B45.1-18, cUPC approved.

JOB NAME:

JOB LOCATION:

CONTRACTOR:

DATE:

ITEM TAG:

ENGINEER APPROVAL:

DATE:

PART NUMBER: