

19" ROUND DROP-IN LAVATORY

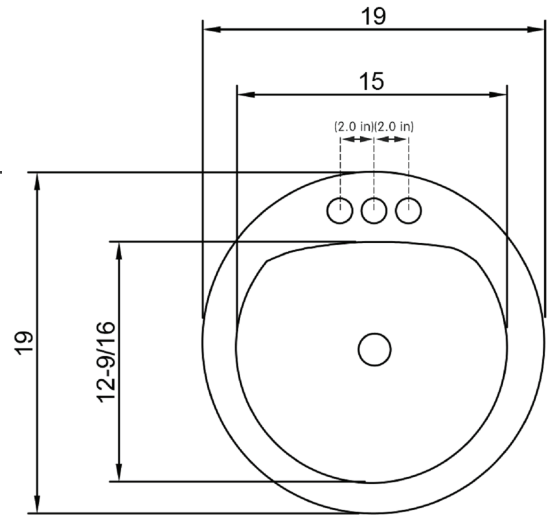
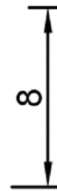
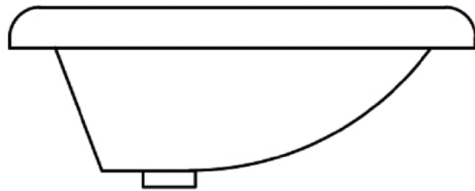


PART #	MODEL #	DESCRIPTION (SIZE)	INNER CARTON QTY.	PALLET QTY.	SELECT MODEL BELOW
ROUND DROP-IN LAVATORY (19" x 19")					
H49228	LAVR19C	19" x 19" ROUND DROP-IN LAVATORY (WHITE)	1	45	<input type="checkbox"/>

PRODUCT DETAILS & DIMENSIONS



- Vitreous China
 - Self Rimming Drop-in
 - With Front Overflow Hole
 - Cutout Template Included
 - cUPC Approved
 - Scratch-Resistant Glaze, Non-Porous Surface
- **Overall Size:** 19" x 19"
 - **Bowl Size:** 15" x 12-9/16"
 - **Depth:** 8"



ADA COMPLIANT

Product certified by IAPMO to meet standards ASME A112.19.2-2018/CSA B45.1-18, cUPC approved.

JOB NAME: _____

JOB LOCATION: _____

CONTRACTOR: _____ **DATE:** _____

ENGINEER APPROVAL: _____ **DATE:** _____

ITEM TAG: _____

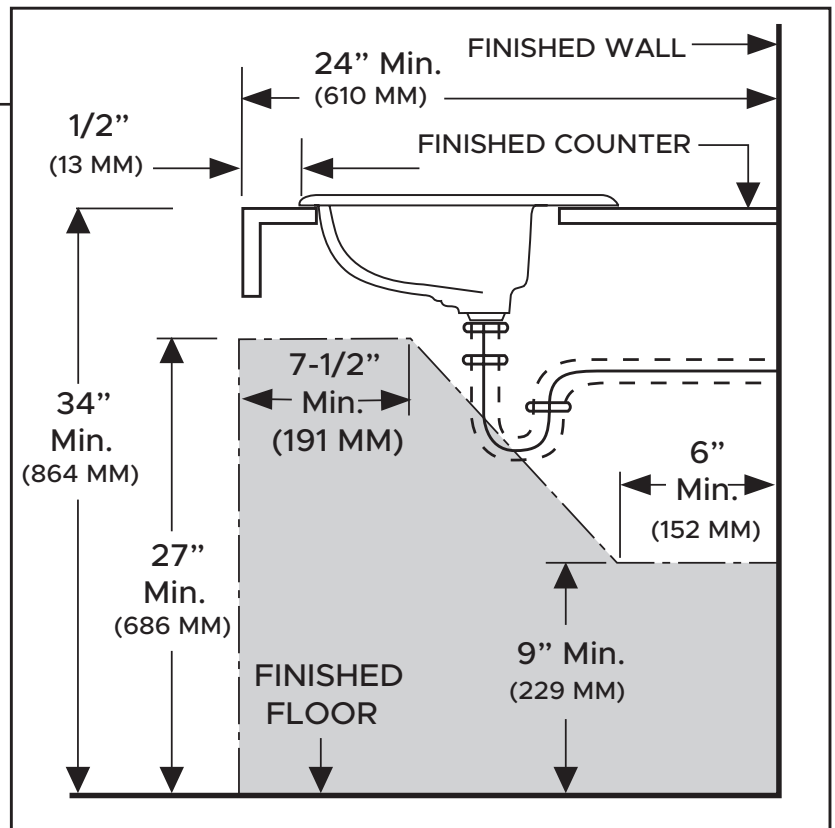
PART NUMBER: _____

19" ROUND DROP-IN LAVATORY



PART #	MODEL #	DESCRIPTION (SIZE)	INNER CARTON QTY.	PALLET QTY.	SELECT MODEL BELOW
ROUND DROP-IN LAVATORY (19" x 19")					
H49228	LAVR19C	19" x 19" ROUND DROP-IN LAVATORY (WHITE)	1	45	<input type="checkbox"/>

ADA INSTALLATION



Product certified by IAPMO to meet standards ASME A112.19.2-2018/CSA B45.1-18, cUPC approved.

JOB NAME:

JOB LOCATION:

CONTRACTOR:

DATE:

ITEM TAG:

ENGINEER APPROVAL:

DATE:

PART NUMBER: