

DROP-IN LAVATORY (WHITE)



PART #	MODEL #	DESCRIPTION (SIZE)	INNER CARTON QTY.	MASTER CARTON QTY.	SELECT MODEL BELOW
DROP-IN LAVATORY (17" x 20")					
H49230	LAV017	17" x 20" OVAL DROP-IN LAVATORY (WHITE) 4" CENTERS	1	45	<input type="checkbox"/>



H49110	LAV0817	17" x 20" OVAL DROP-IN LAVATORY (WHITE) 8" CENTERS	1	45	<input type="checkbox"/>
--------	---------	--	---	----	--------------------------

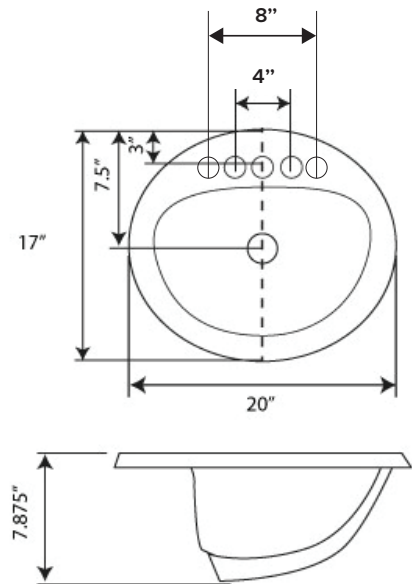


H49231	LAV017B	17" x 20" OVAL DROP-IN LAVATORY (BISCUIT)	1	45	<input type="checkbox"/>
--------	---------	---	---	----	--------------------------



PRODUCT DETAILS

- Vitreous China
- Self Rimming Drop-in
- Front Overflow
- UPC Approved



JOB NAME:

JOB LOCATION:

CONTRACTOR:

DATE:

ITEM TAG:

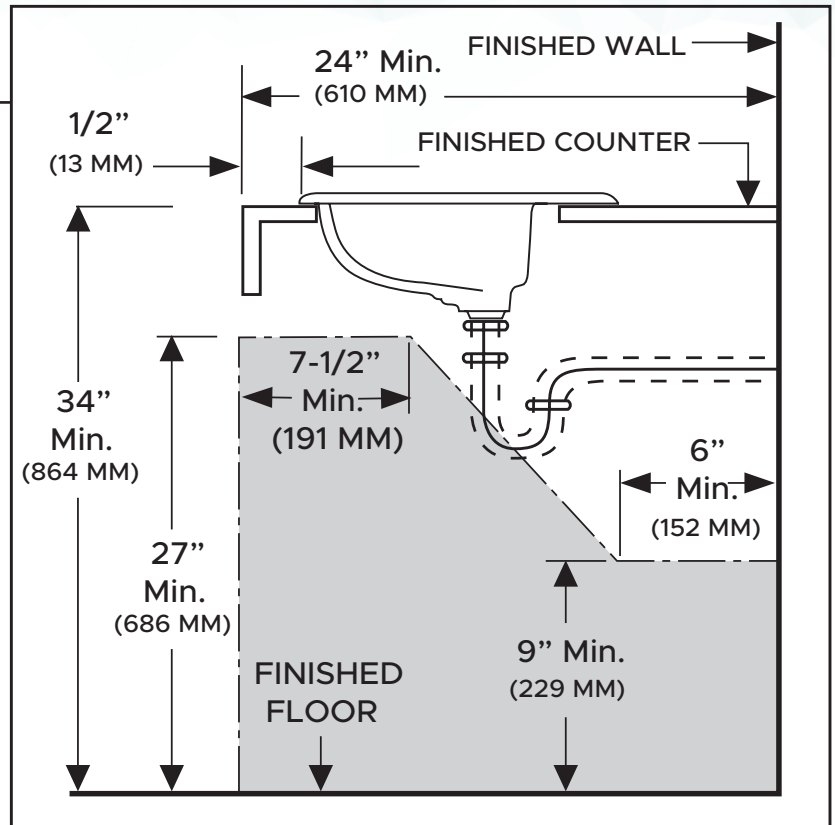
ENGINEER APPROVAL:

DATE:

PART NUMBER:

DROP-IN LAVATORY (WHITE)

ADA INSTALLATION



JOB NAME:

JOB LOCATION:

CONTRACTOR:

DATE:

ITEM TAG:

ENGINEER APPROVAL:

DATE:

PART NUMBER: