

TRANSITION FITTINGS FEMALE DROP EAR CPVC x SS



No wrench here
Use Teflon tape

Part #	Model #	Description (Size)	Inner Carton Qty	Master Carton Qty	Select Model Below
FEMALE DROP EAR 90° (CPVC x STAINLESS STEEL) SS EARS					
H48407	STD470735ST12SS	1/2" CPVC X 1/2" FIP FEMALE DROP EAR	25	100	<input type="checkbox"/>

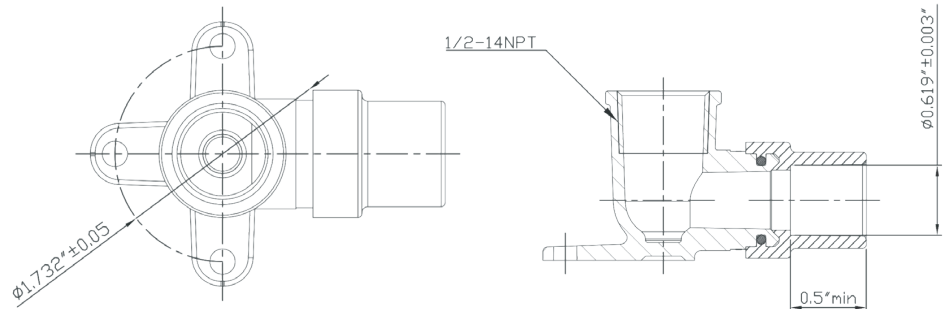
- Lead-Free
- Max working pressure 100 PSI @ 180° F
- Manufactured to ASTM Standard D2846



* HydraPro CPVC Drop Ear 90 Elbows are designed to be used when plumbing remains stationary and fixed, usually at the termination of a water line. Shower Heads are a typical application. **The installation of a HydraPro CPVC Drop Ear Elbow fittings for the installation of Pot-Filler faucets is an improper use of these fittings.**

MATERIAL SPECIFICATION		
PART	MATERIAL	SPECIFICATION
1 Solvent-weld socket tubing adapter	Virgin CPVC resin	ASTM D1784 Class 23447
2 O-ring	EPDM rubber	Commercial grade
3 Pipe thread adapter	Stainless Steel	AISI Grade 304, CF8

TECHNICAL DRAWINGS



JOB NAME: _____

JOB LOCATION: _____

CONTRACTOR: _____ DATE: _____

ENGINEER APPROVAL: _____ DATE: _____

ITEM TAG: _____

PART NUMBER: _____