

TRANSITION FITTINGS FEMALE COUPLING CPVC x SS



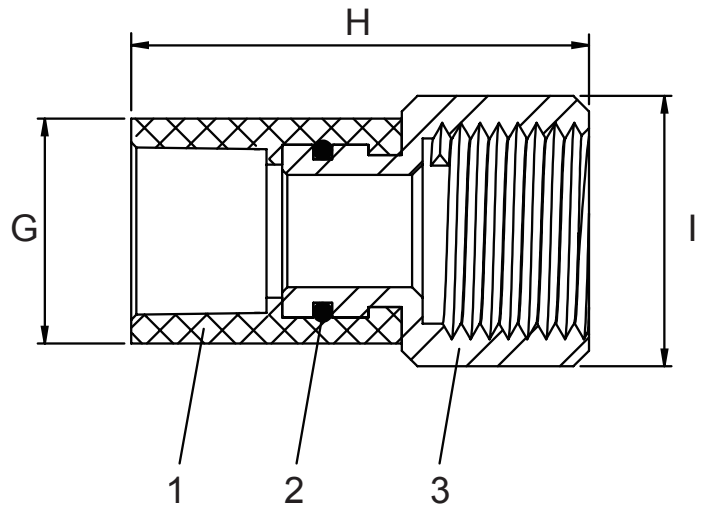
Part #	Model #	Description (Size)	Inner Carton Qty	Master Carton Qty	Select Model Below
FEMALE COUPLING CPVC x STAINLESS STEEL					
H48307	STD4703ST12C	1/2" CPVC SOCKET x 1/2" FIP SS COUPLING	25	150	<input type="checkbox"/>

Use Teflon Tape

- Lead-Free • Max working pressure 100 PSI @ 180° F
- Manufactured to ASTM Standard D2846
- * Designed to connect CPVC to shower valves with an impact wrench.
Do not over torque!

TECHNICAL DRAWINGS

NO.	PART NAME	MATERIAL	QTY.
1	PVC OVERMOLD	CPVC	1
2	SEAL	BUNA-N RUBBER (NBR)	1
3	METAL INSERT	304 STAINLESS STEEL	1



DIMENSIONS	G	H	I
1/2"	0.85	1.73	1.02

Standards:

ANSI/ASME B1.20.1 Pipe threads, general purpose, Inch
 ASTM D1784 Standard specification for rigid PVC and CPVC compounds
 ASTM D2846 Standard specification for PVC and CPVC plastic hot-and-cold water distribution systems

JOB NAME: _____

JOB LOCATION: _____

CONTRACTOR: _____

DATE: _____

ITEM TAG: _____

ENGINEER APPROVAL: _____

DATE: _____

PART NUMBER: _____