

## TRANSITION FITTINGS FEMALE DROP EAR CPVC x BRASS



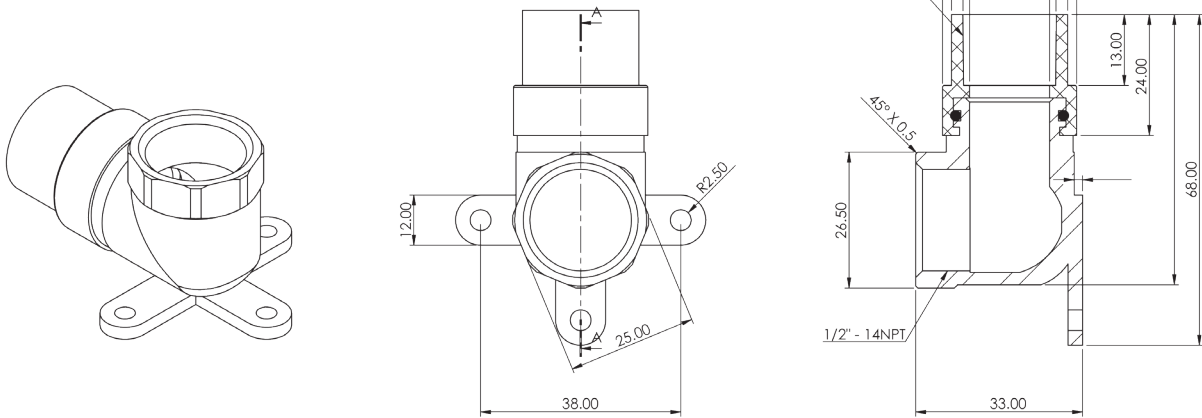
Part #	Model #	Description (Size)	Inner Carton Qty	Master Carton Qty	Select Model Below
<b>FEMALE DROP EAR 90° CPVC x LEAD-FREE BRASS</b>					
H48206	STD470735BTLF12	1/2" CPVC X 1/2" FIP FEMALE DROP-EAR	25	250	<input type="checkbox"/>

- Lead Free
- Max working pressure 100 PSI @ 180° F
- Manufactured to ASTM Standard D2846



\* HydraPro CPVC Drop Ear 90 Elbows are designed to be used when plumbing remains stationary and fixed, usually at the termination of a water line. Shower Heads are a typical application. **The installation of a HydraPro CPVC Drop Ear Elbow fittings for the installation of Pot-Filler faucets is an improper use of these fittings.**

### TECHNICAL DRAWINGS



JOB NAME: \_\_\_\_\_

JOB LOCATION: \_\_\_\_\_

CONTRACTOR: \_\_\_\_\_ DATE: \_\_\_\_\_

ENGINEER APPROVAL: \_\_\_\_\_ DATE: \_\_\_\_\_

ITEM TAG: \_\_\_\_\_

PART NUMBER: \_\_\_\_\_