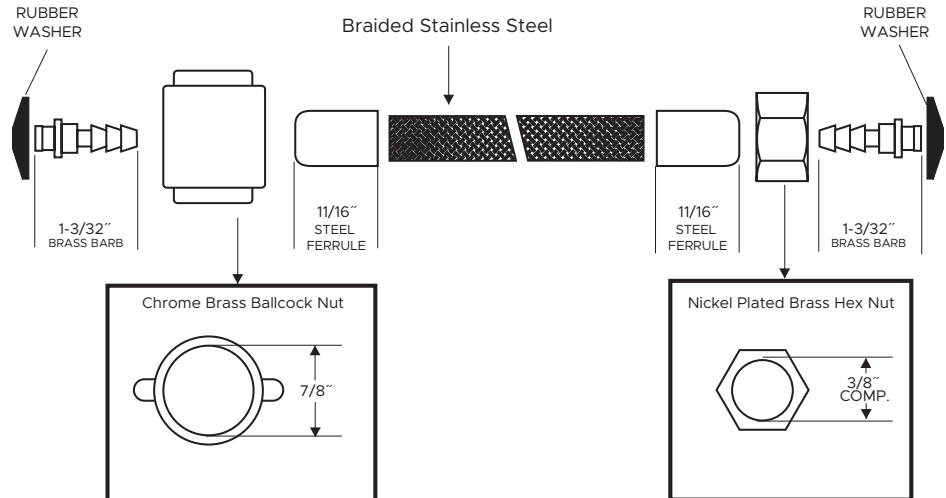


## TOILET SUPPLY CONNECTORS

Part #	Model #	Description (Size)	Inner Carton Qty	Master Carton Qty	Select Model Below
<b>CLOSET SUPPLY LINE 7/8" BALLCOCK x 3/8" COMP</b>					
H28048	MIT9	9" CLOSET SUPPLY LINE (BALLCOCK x COMP.)	25	100	<input type="checkbox"/>
H28045	MIT12	12" CLOSET SUPPLY LINE (BALLCOCK x COMP.)	25	100	<input type="checkbox"/>
H28046	MIT16	16" CLOSET SUPPLY LINE (BALLCOCK x COMP.)	25	100	<input type="checkbox"/>
H28047	MIT20	20" CLOSET SUPPLY LINE (BALLCOCK x COMP.)	25	100	<input type="checkbox"/>



### TECHNICAL DRAWINGS



## FEATURES & BENEFITS

- PVC Reinforced Inner Core Hose
- Braided Type 304 Stainless Steel
- Stainless Steel Ferrule
- Chrome Plated Brass Wing Nut
- Lead-Free\* Brass Insert
- Individually Labeled and Barcoded
- Max Working Pressure is 125 PSI at 160°
- Max Burst Pressure is 1500 PSI at 160°

\*Lead Free refers to the wetted surface of pipe, fittings and fixtures in potable water systems that have a weighted average lead content  $\leq 0.25\%$  per the Safe Drinking Water Act (Sec. 1417) amended 1-4-2011 and other equivalent state regulations.

JOB NAME:

JOB LOCATION:

CONTRACTOR:

ENGINEER APPROVAL:

DATE:

DATE:

ITEM TAG:

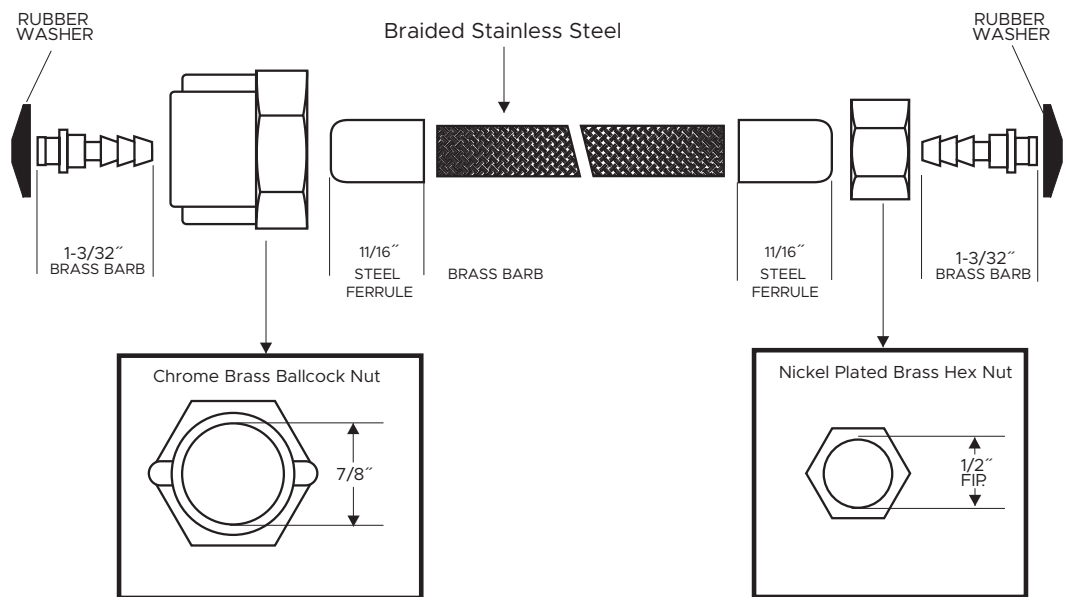
PART NUMBER:

## TOILET SUPPLY CONNECTORS

Part #	Model #	Description (Size)	Inner Carton Qty	Master Carton Qty	Select Model Below
<b>CLOSET SUPPLY LINE 7/8" BALLCOCK x 1/2" FIP</b>					
H28042	M3T12	12" CLOSET SUPPLY LINE (BALLCOCK x FIP)	25	100	<input type="checkbox"/>



### TECHNICAL DRAWINGS



### FEATURES & BENEFITS

- PVC Reinforced Inner Core Hose
- Braided Type 304 Stainless Steel
- Stainless Steel Ferrule
- Chrome Plated Brass Wing Nut
- Lead-Free\* Brass Insert
- Individually Labeled and Barcoded
- Max Working Pressure is 125 PSI at 160°
- Max Burst Pressure is 1500 PSI at 160°

\*Lead Free refers to the wetted surface of pipe, fittings and fixtures in potable water systems that have a weighted average lead content  $\leq 0.25\%$  per the Safe Drinking Water Act (Sec. 1417) ammended 1-4-2011 and other equivalent state regulations.

JOB NAME: \_\_\_\_\_

JOB LOCATION: \_\_\_\_\_

CONTRACTOR: \_\_\_\_\_ DATE: \_\_\_\_\_

ITEM TAG: \_\_\_\_\_

ENGINEER APPROVAL: \_\_\_\_\_ DATE: \_\_\_\_\_

PART NUMBER: \_\_\_\_\_