

BRASS T-HANDLE BALL VALVES (SWT x SWT)



PART #	MODEL #	DESCRIPTION (SIZE)	INNER CARTON QTY.	MASTER CARTON QTY.	SELECT MODEL BELOW
BRASS T-HANDLE BALL VALVES (SWEAT x SWEAT)					
H50011	IBVS600LF12TH	1/2" BRASS SWEAT T-HANDLE BALL VALVE	20	100	<input type="checkbox"/>
H50012	IBVS600LF34TH	3/4" BRASS SWEAT T-HANDLE BALL VALVE	10	60	<input type="checkbox"/>
H50013	IBVS600LF1TH	1" BRASS SWEAT T-HANDLE BALL VALVE	8	40	<input type="checkbox"/>

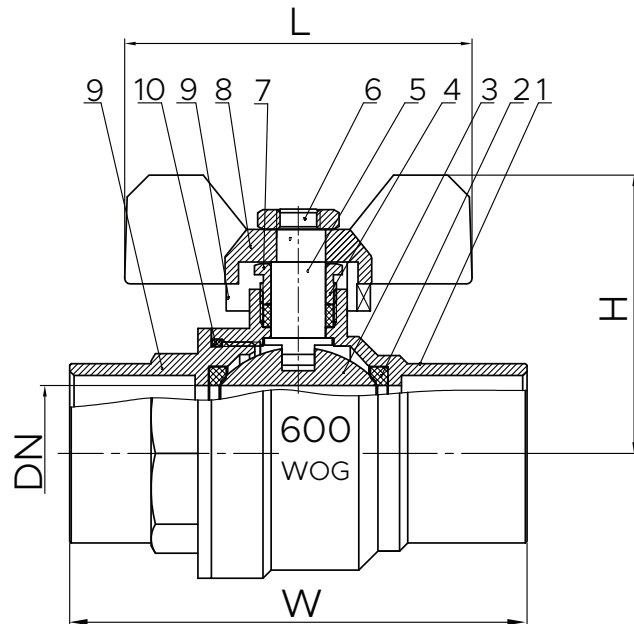
FEATURES & BENEFITS

- Brass Construction
- Full Port
- Lead-Free
- 600 WOG
- T-Handle Design
- UPC Certified



SIZE	DN	W	H	L	Wt.(g)
1/2"	13.3	49.4	36.5	52	126
3/4"	19	67.4	40.7	52	212
1"	25	84.2	51.2	64	379

NO.	PART	MATERIAL
1	Body	Lead-Free Brass
2	Seat	PTFE
3	Ball	Stainless Steel
4	Packing Nut	Brass
5	Stem	Brass
6	Handle Nut	Plated Steel
7	Packing	PTFE
8	Handle	AL-Alloy
9	Cap	Lead-Free Brass
10	O-Ring (Only 1"- 2")	Viton



JOB NAME: _____

JOB LOCATION: _____

CONTRACTOR: _____ DATE: _____

ENGINEER APPROVAL: _____ DATE: _____

ITEM TAG: _____

PART NUMBER: _____