

BRASS T-HANDLE BALL VALVES (MIP x PEX)



PART #	MODEL #	DESCRIPTION (SIZE)	INNER CARTON QTY.	MASTER CARTON QTY.	SELECT MODEL BELOW
BRASS T-HANDLE BALL VALVES (MIP x F1807 PEX)					
H50048	IBVMP600LF34TH	3/4" BRASS MIP x PEX T-HANDLE BALL VALVE	10	60	<input type="checkbox"/>

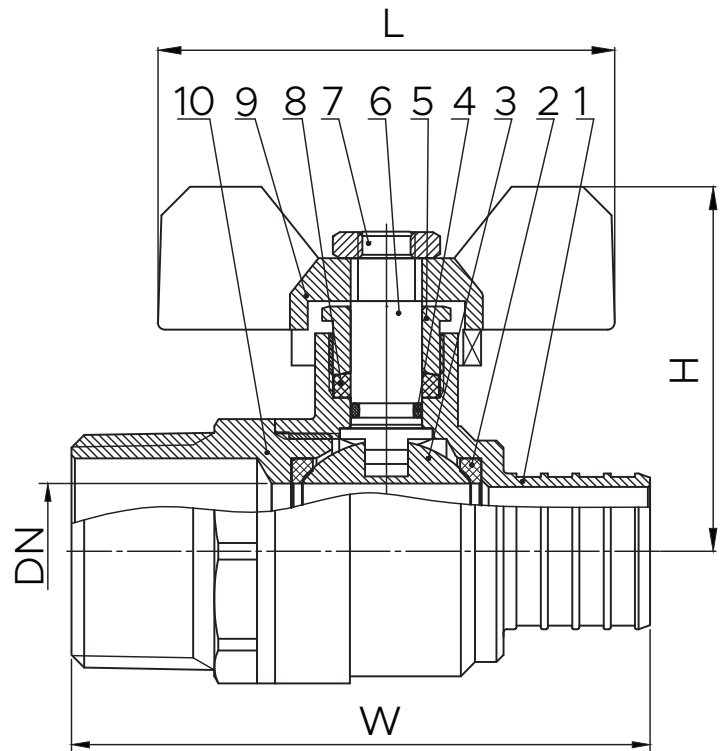
FEATURES & BENEFITS

- Brass Construction
- Full Port
- Lead-Free
- 600 WOG
- T-Handle Design
- UPC Certified



SIZE	DN	W	H	L
3/4"	13.5	65.5	40.5	52

NO.	PART	MATERIAL
1	Body	Lead-Free Brass
2	Seat	PTFE
3	Ball	Stainless Steel
4	O-Ring	NBR
5	Packing Nut	Brass
6	Stem	Brass
7	Handle Nut	Plated Steel
8	Packing	PTFE
9	Handle	AL-Alloy
10	Cap	Lead-Free Brass



JOB NAME: _____

JOB LOCATION: _____

CONTRACTOR: _____ DATE: _____

ITEM TAG: _____

ENGINEER APPROVAL: _____ DATE: _____

PART NUMBER: _____