

BRASS T-HANDLE BALL VALVES (PEX x PEX)



| PART # | MODEL # | DESCRIPTION (SIZE) | INNER CARTON QTY. | MASTER CARTON QTY. | SELECT MODEL BELOW |
|---|--------------|------------------------------------|-------------------|--------------------|--------------------------|
| BRASS T-HANDLE BALL VALVES (F1960 PEX x F1960 PEX) | | | | | |
| H50055 | PXW400LF12TH | 1/2" BRASS PEX T-HANDLE BALL VALVE | 20 | 100 | <input type="checkbox"/> |
| H50056 | PXW400LF34TH | 3/4" BRASS PEX T-HANDLE BALL VALVE | 10 | 60 | <input type="checkbox"/> |
| H50057 | PXW400LF1TH | 1" BRASS PEX T-HANDLE BALL VALVE | 8 | 40 | <input type="checkbox"/> |

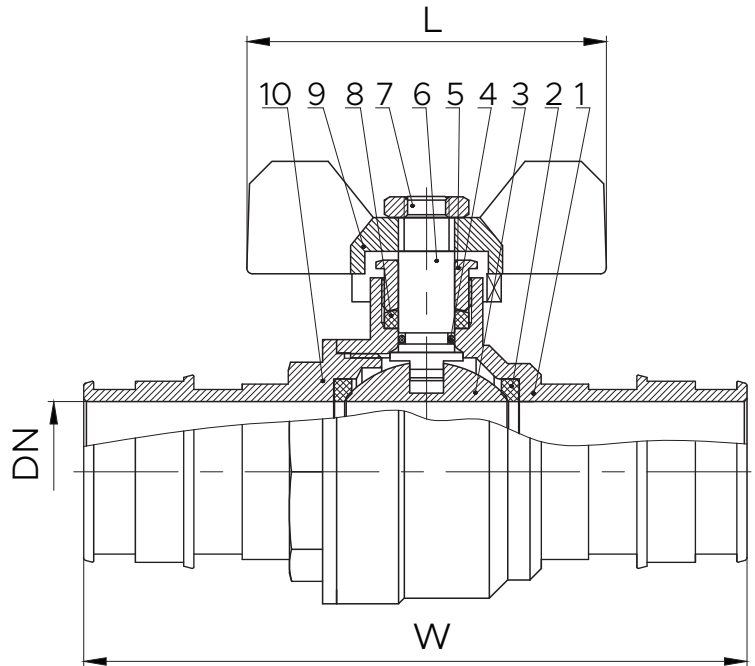
FEATURES & BENEFITS

- Brass Construction
- Lead-Free
- 400 WOG
- T-Handle Design
- UPC Certified



| SIZE | DN | W | H | L |
|-------------|------|------|------|----|
| 1/2" | 10 | 65.5 | 37.2 | 52 |
| 3/4" | 15.5 | 84 | 40.5 | 52 |
| 1" | 20.6 | 101 | 52.2 | 64 |

| NO. | PART | MATERIAL |
|-----|-------------|-----------------|
| 1 | Body | Lead-Free Brass |
| 2 | Seat | PTFE |
| 3 | Ball | Stainless Steel |
| 4 | O-Ring | NBR |
| 5 | Packing Nut | Brass |
| 6 | Stem | Brass |
| 7 | Handle Nut | Plated Steel |
| 8 | Packing | PTFE |
| 9 | Handle | AL-Alloy |
| 10 | Cap | Lead-Free Brass |



JOB NAME: _____

JOB LOCATION: _____

CONTRACTOR: _____ DATE: _____

ENGINEER APPROVAL: _____ DATE: _____

ITEM TAG: _____

PART NUMBER: _____