

BRASS T-HANDLE BALL VALVES (PEX x PEX)



PART #	MODEL #	DESCRIPTION (SIZE)	INNER CARTON QTY.	MASTER CARTON QTY.	SELECT MODEL BELOW
BRASS T-HANDLE BALL VALVES (F1807 PEX x F1807 PEX)					
H50045	PXCP400LF12TH	1/2" BRASS PEX T-HANDLE BALL VALVE	20	100	<input type="checkbox"/>
H50046	PXCP400LF34TH	3/4" BRASS PEX T-HANDLE BALL VALVE	10	60	<input type="checkbox"/>
H50047	PXCP400LF1TH	1" BRASS PEX T-HANDLE BALL VALVE	8	40	<input type="checkbox"/>

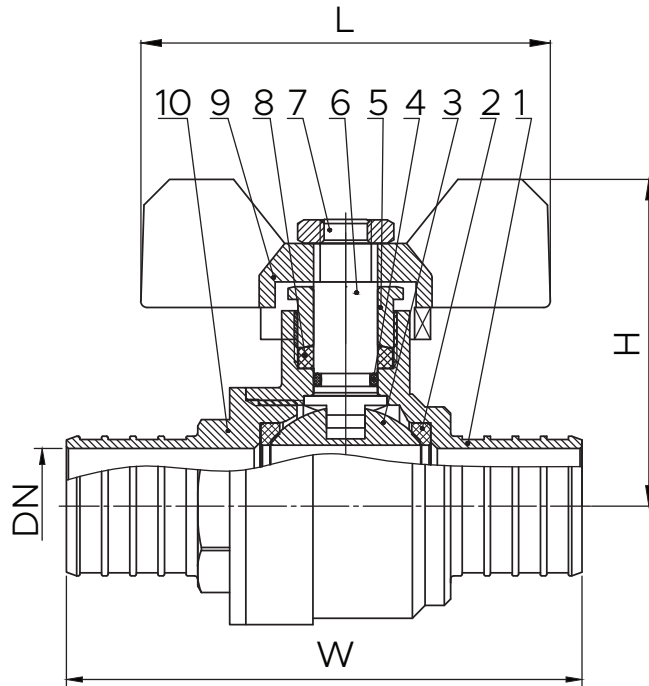
FEATURES & BENEFITS

- Brass Construction
- Lead-Free
- 400 WOG
- T-Handle Design
- UPC Certified



SIZE	DN	W	H	L
1/2"	9	62	36.2	52
3/4"	13.5	65.5	40.5	52
1"	18.1	80.5	51.2	64

NO.	PART	MATERIAL
1	Body	Lead-Free Brass
2	Seat	PTFE
3	Ball	Stainless Steel
4	O-Ring	NBR
5	Packing Nut	Brass
6	Stem	Brass
7	Handle Nut	Plated Steel
8	Packing	PTFE
9	Handle	AL-Alloy
10	Cap	Lead-Free Brass



JOB NAME: _____

JOB LOCATION: _____

CONTRACTOR: _____ DATE: _____

ITEM TAG: _____

ENGINEER APPROVAL: _____ DATE: _____

PART NUMBER: _____