

## THREADED x F1807 PEX BRASS BALL VALVES



PART #	MODEL #	DESCRIPTION (SIZE)	INNER CARTON QTY.	MASTER CARTON QTY.	SELECT MODEL BELOW
<b>BRASS BALL VALVES (MIP x F1807 PEX)</b>					
H50075	IBVMP600LF34	3/4" x 3/4" BRASS F1807 PEX BALL VALVE	10	60	<input type="checkbox"/>

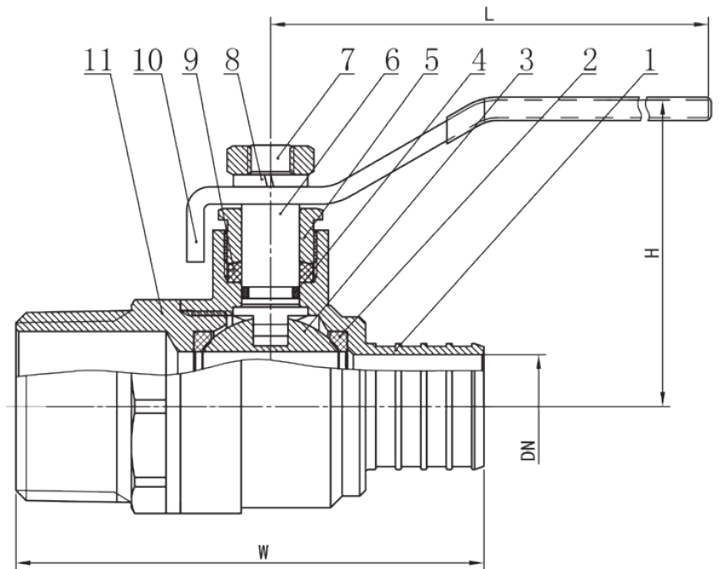
### FEATURES & BENEFITS

- PEX Ball Valve
- Brass Body
- MIP X ASTM F1807 PEX
- 600 WOG
- Chrome Plated Brass Ball
- cUPC Certified and Lead-Free



DN	W	H	L
0.531	2.58	1.81	3.46

NO.	PART	MATERIAL
1	Body	Lead-Free Brass
2	Seat	PTFE
3	Ball	Stainless Steel
4	O-Ring	NBR
5	Packing Nut	Brass
6	Stem	Brass
7	Handle Nut	Plated Steel
8	Lock Washer	Plated Steel
9	Packing	PTFE
10	Handle	Plated Steel
11	Cap	Lead-Free Brass



JOB NAME: \_\_\_\_\_

JOB LOCATION: \_\_\_\_\_

CONTRACTOR: \_\_\_\_\_ DATE: \_\_\_\_\_

ITEM TAG: \_\_\_\_\_

ENGINEER APPROVAL: \_\_\_\_\_ DATE: \_\_\_\_\_

PART NUMBER: \_\_\_\_\_