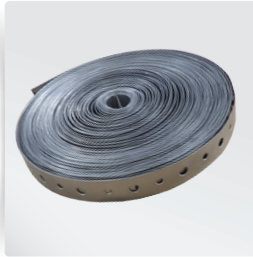


METAL TAPE W. ALTERNATING HOLES GALVANEAELED BAND IRON



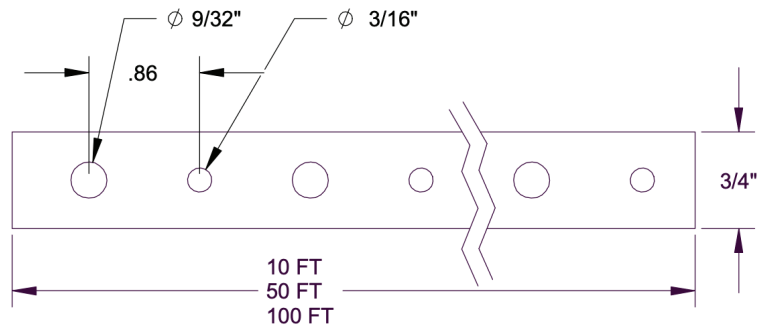
| Part # | Model # | Description (Size) | Inner Carton Qty | Master Carton Qty | Select Model Below |
|---|----------------|--|------------------|-------------------|--------------------------|
| METAL TAPE / GALVANEAELED BAND IRON (24 GAUGE) | | | | | |
| H19772 | HMGMT341024AH | 3/4" x 10' METAL TAPE ALT. HOLES - 24 GA. | - | 50 | <input type="checkbox"/> |
| H19545 | HMGMT345024AH | 3/4" x 50' METAL TAPE ALT. HOLES - 24 GA. | - | 5 | <input type="checkbox"/> |
| H19773 | HMGMT3410024AH | 3/4" x 100' METAL TAPE ALT. HOLES - 24 GA. | - | 10 | <input type="checkbox"/> |
| METAL TAPE / GALVANEAELED BAND IRON (28 GAUGE) | | | | | |
| H19774 | HMGMT341028AH | 3/4" x 10' METAL TAPE ALT. HOLES - 28 GA. | - | 50 | <input type="checkbox"/> |
| H19775 | HMGMT345028AH | 3/4" x 50' METAL TAPE ALT. HOLES - 28 GA. | - | 5 | <input type="checkbox"/> |
| H19776 | HMGMT3410028AH | 3/4" x 100' METAL TAPE ALT. HOLES - 28 GA. | - | 10 | <input type="checkbox"/> |

MATERIAL / FINISH

MADE IN THE USA

- STEEL
- GALVANEAELED*

| GAGE | MINIMUM THICKNESS | WIDTH | MAX STATIC WORKING LOAD-LBS |
|------|-------------------|-------|-----------------------------|
| 28 | .011 | .75 | 40 |
| 24 | .021 | .75 | 70 |
| 22 | .028 | .75 | 90 |
| 20 | .033 | .75 | 110 |



* Galvanneal is similar to other galvanized steels. It is perhaps most similar to hot-dip galvanizing. In order to create Galvanneal steel, the material is run through a liquid bath of zinc alloy. This zinc adheres to the surface without any large changes to the metallurgical properties of either the zinc layer or the steel.

JOB NAME:

JOB LOCATION:

CONTRACTOR:

DATE:

ITEM TAG:

ENGINEER APPROVAL:

DATE:

PART NUMBER: