

## LEAD-FREE\* DISWASHER CONNECTORS



Part #	Model #	Description (Size)	Inner Carton Qty	Master Carton Qty	Select Model Below
<b>DISHWASHER CONNECTOR</b>					
H28010	M1D60	3/8" COMP. x 3/8" COMP. OR 3/4" FHT x 60"	1	12	<input type="checkbox"/>
H28030	M1D72	3/8" COMP. x 3/8" COMP. OR 3/4" FHT x 72"	1	12	<input type="checkbox"/>

\* Lead-Free refers to the wetted surface of pipe, fittings and fixtures in potable water systems that have a weighted average lead content  $\leq 0.25\%$  per the Safe Drinking Water Act (Sec. 1417) ammended 1-4-2011 and other equivalent state regulations.

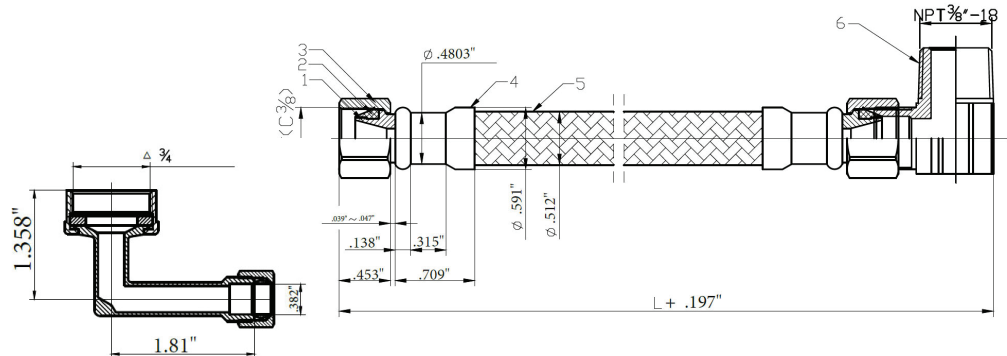


### FEATURES & BENEFITS

- PVC Reinforced Inner Core Hose
- 304 Stainless Steel Braiding
- Max Working Pressure is 125 PSI at 160°
- Max Burst Pressure is 1500 PSI at 160°
- Stainless Steel Ferrule
- Chrome Plated Brass Nuts
- Individully Bagged and Barcoded
- Universal Fit: Includes 3/8" Comp. x 3/8" MIP and 3/8" Comp x 3/4" FHT Elbows
- Lead-Free\*

### TECHNICAL DRAWINGS

NO.	MATERIAL
1	LF Brass (C46500)
2	EPDM Rubber
3	LF Brass (C46500)
4	304 Stainless Steel
5	304 SS over Re-inforced PVC



JOB NAME:

JOB LOCATION:

CONTRACTOR:

ENGINEER APPROVAL:

DATE:

DATE:

ITEM TAG:

PART NUMBER: