

LEAD-FREE* DISWASHER CONNECTORS



Part #	Model #	Description (Size)	Inner Carton Qty	Master Carton Qty	Select Model Below
DISHWASHER CONNECTOR WITH 3/4" FHT ELBOW ATTACHED					
H28011	M1D60W	3/8" COMP. x 3/4" FHT x 60" [5 Feet]	1	12	<input type="checkbox"/>

* Lead-Free refers to the wetted surface of pipe, fittings and fixtures in potable water systems that have a weighted average lead content $\leq 0.25\%$ per the Safe Drinking Water Act (Sec. 1417) ammended 1-4-2011 and other equivalent state regulations.

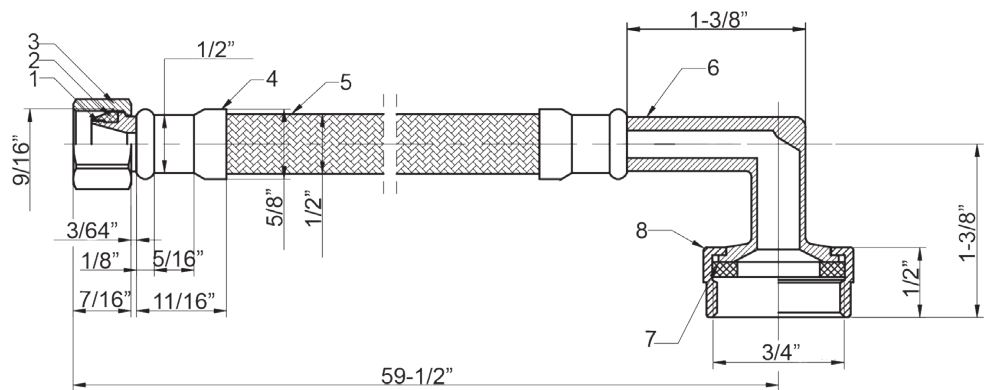


FEATURES & BENEFITS

- PVC Reinforced Inner Core Hose
- 304 Stainless Steel Braiding
- Max Working Pressure is 125 PSI at 160°
- Max Burst Pressure is 1500 PSI at 160°
- Stainless Steel Ferrule
- Chrome Plated Brass Nuts
- Individully Bagged and Barcoded
- 3/8" Comp x 3/4" FHT Elbows
- Lead-Free*

TECHNICAL DRAWINGS

NO.	MATERIAL
1	LF Brass (C37100)
2	EPDM Rubber
3	LF Brass (HPb57-3)
4	304 Stainless Steel
5	304 SS over Re-inforced PVC
6	LF Brass (C46500)
7	NBR
8	LF Brass (HPb57-3)



JOB NAME:

JOB LOCATION:

CONTRACTOR:

DATE:

ITEM TAG:

ENGINEER APPROVAL:

DATE:

PART NUMBER: