

COPPER PLATED J-TUBE NAILER

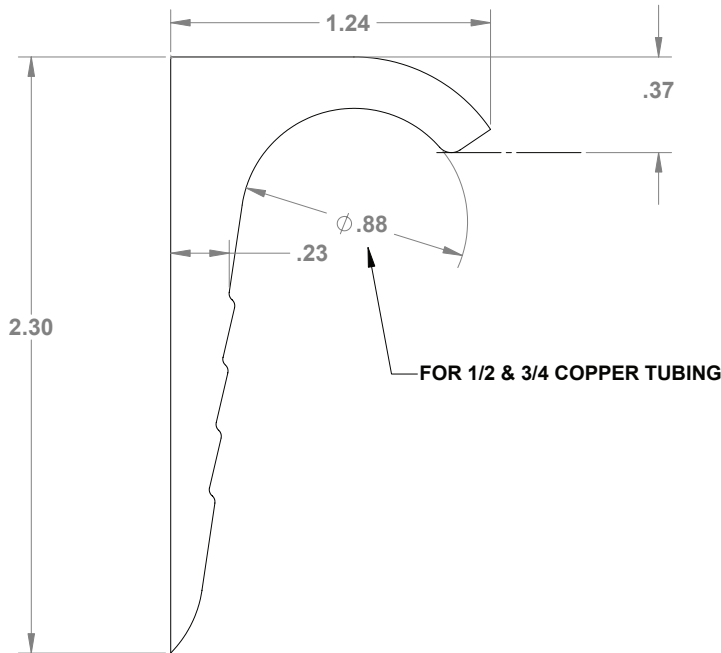


Part #	Model #	Description (Size)	Inner Carton Qty	Master Carton Qty	Select Model Below
COPPER PLATED J-TUBE NAILER					
H19730	HMJTN1234	1/2" - 3/4" COPPER PLATED J-TUBE NAILER	100	2000	<input type="checkbox"/>

MATERIALS / FINISH

MADE IN THE USA

- COPPER PLATED



STEEL .080 MIN THK Rb 90 MIN
 .085 MIN THK Rb 85 MIN
 .090 MIN THK Rb 80 MIN

JOB NAME: _____

JOB LOCATION: _____

CONTRACTOR: _____ DATE: _____

ITEM TAG: _____

ENGINEER APPROVAL: _____ DATE: _____

PART NUMBER: _____