

CHECK VALVES WITH SWEAT CONNECTION



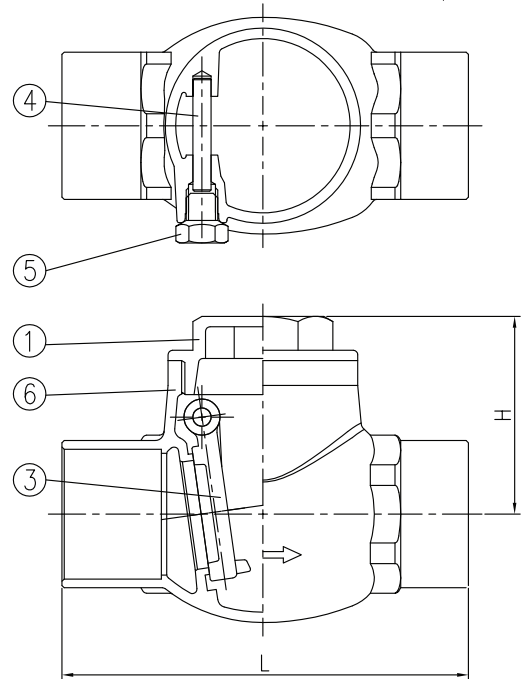
PART #	MODEL #	DESCRIPTION	INNER CARTON QTY.	MASTER CARTON QTY.	SELECT MODEL BELOW
CHECK VALVES with SWEAT CONNECTION (LEAD-FREE)					
H51010	HPSCHS12LF	1/2" x 1/2" SWEAT CHECK VALVE	10	100	<input type="checkbox"/>
H51011	HPSCHS34LF	3/4" x 3/4" SWEAT CHECK VALVE	10	100	<input type="checkbox"/>
H51012	HPSCHS1LF	1" x 1" SWEAT CHECK VALVE	5	50	<input type="checkbox"/>
H51013	HPSCHS114LF	1-1/4" x 1-1/4" SWEAT CHECK VALVE	5	30	<input type="checkbox"/>
H51014	HPSCHS112LF	1-1/2" x 1-1/2" SWEAT CHECK VALVE	2	30	<input type="checkbox"/>
H51015	HPSCHS2LF	2" x 2" SWEAT CHECK VALVE	2	12	<input type="checkbox"/>

- Straight Pattern • Brass Body • IPS Connection
- 200 PSI / WOG • Lead-Free



Size	L	H
1/2"	57	37
3/4"	76	39
1"	90	44
1-1/4"	102	50
1-1/2"	116	55
2"	142	66

NO.	PART	MATERIAL
1	Cover	ASTM B16-C36000 JIS H3250-C3604B
6	Body	ASTM B16-C36000 JIS H3250-C3604B
3	Disc	C46400
4	Pin	C46400
5	Screw	C46400



JOB NAME: _____

JOB LOCATION: _____

CONTRACTOR: _____ DATE: _____

ENGINEER APPROVAL: _____ DATE: _____

ITEM TAG: _____

PART NUMBER: _____