

CHECK VALVES WITH IPS CONNECTION



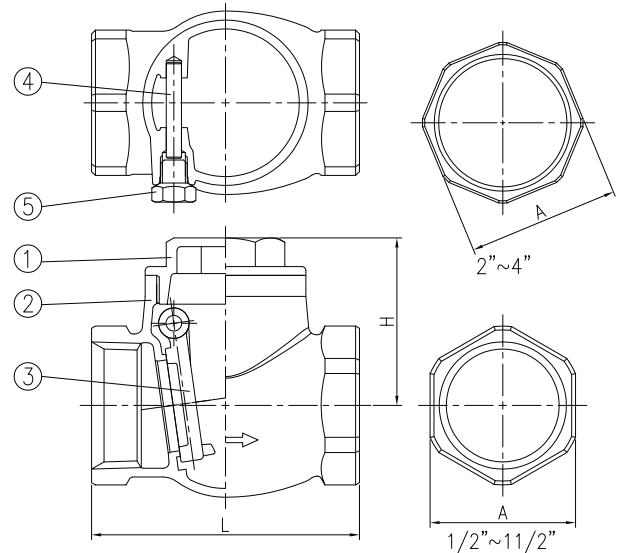
PART #	MODEL #	DESCRIPTION	INNER CARTON QTY.	MASTER CARTON QTY.	SELECT MODEL BELOW
CHECK VALVES with IPS CONNECTION (LEAD-FREE)					
H51000	HPSCHF12LF	1/2" x 1/2" IPS CHECK VALVE	10	100	<input type="checkbox"/>
H51001	HPSCHF34LF	3/4" x 3/4" IPS CHECK VALVE	10	100	<input type="checkbox"/>
H51002	HPSCHF1LF	1" x 1" IPS CHECK VALVE	5	50	<input type="checkbox"/>
H51003	HPSCHF114LF	1-1/4" x 1-1/4" IPS CHECK VALVE	5	30	<input type="checkbox"/>
H51004	HPSCHF112LF	1-1/2" x 1-1/2" IPS CHECK VALVE	2	30	<input type="checkbox"/>
H51005	HPSCHF2LF	2" x 2" IPS CHECK VALVE	2	12	<input type="checkbox"/>
H51006	HPSCHF212LF	2-1/2" x 2-1/2" IPS CHECK VALVE	1	12	<input type="checkbox"/>
H51007	HPSCHF3LF	3" x 3" IPS CHECK VALVE	1	3	<input type="checkbox"/>

- Straight Pattern • Brass Body • IPS Connection
- 200 PSI / WOG • Lead-Free



Size	L	H	A
1/2"	53	37	25.4
3/4"	60	39	31
1"	70	44	38
1-1/4"	82	50	47
1-1/2"	89	55	53.5
2"	110	66	66
2-1/2"	134	83	82
3"	151	94	97

NO.	PART	MATERIAL
1	Cover	ASTM B16-C36000 JIS H3250-C3604B
2	Body	ASTM B16-C36000 JIS H3250-C3604B
3	Disc	C46400
4	Pin	C46400
5	Screw	C46400



JOB NAME:

JOB LOCATION:

CONTRACTOR:

DATE:

ITEM TAG:

ENGINEER APPROVAL:

DATE:

PART NUMBER: