

# 3-1/2" PROTECTIVE PLATES

## TWO, FOUR & SIXTEEN HOLES (16 GAUGE)

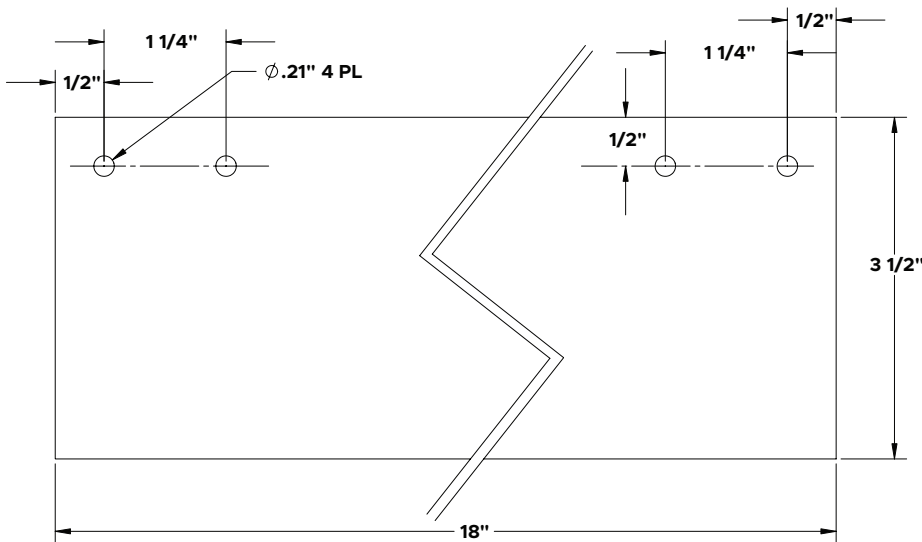


Part #	Model #	Description (Size)	Inner Carton Qty	Master Carton Qty	Select Model Below
<b>3-1/2" PROTECTIVE PLATES (16 GAUGE)</b>					
H19568	HMPP312616.2	3-1/2" x 6" PROTECTIVE PLATE 16 GA 2 HOLES	-	50	<input type="checkbox"/>
H19569	HMPP312616.4	3-1/2" x 6" PROTECTIVE PLATE 16 GA 4 HOLES	-	50	<input type="checkbox"/>
H93518	HMPP3121816.4	3-1/2" x 18" PROTECTIVE PLATE 16 GA 4 HOLES	-	25	<input type="checkbox"/>
H19570	HMPP3121816.16	3-1/2" x 18" PROTECTIVE PLATE 16 GA 16 HOLES	-	25	<input type="checkbox"/>

**MADE IN THE USA**

### MATERIALS

• STEEL - 16 GAUGE



HMPP312616.4



DIMENSIONS SHOWN ABOVE ARE FOR **HMPP3121816.4** → **HMPP3121816.4**

HMPP3121816.16

JOB NAME: \_\_\_\_\_

JOB LOCATION: \_\_\_\_\_

CONTRACTOR: \_\_\_\_\_ DATE: \_\_\_\_\_ ITEM TAG: \_\_\_\_\_

ENGINEER APPROVAL: \_\_\_\_\_ DATE: \_\_\_\_\_ PART NUMBER: \_\_\_\_\_