

32 GAL. TALL WELL TANK

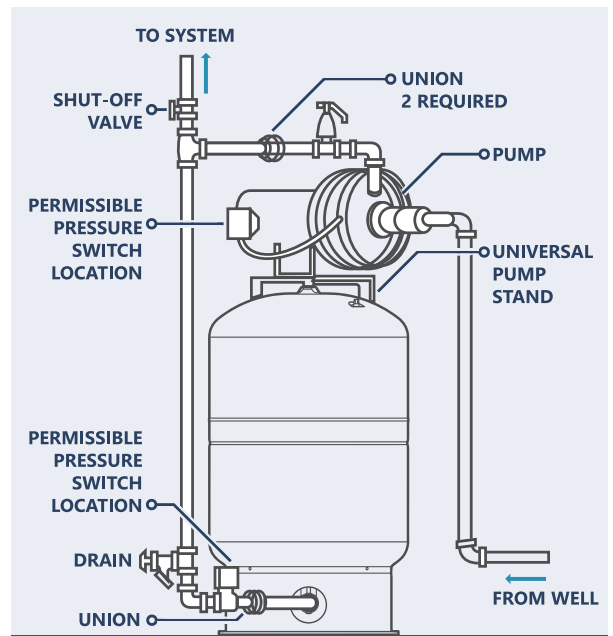
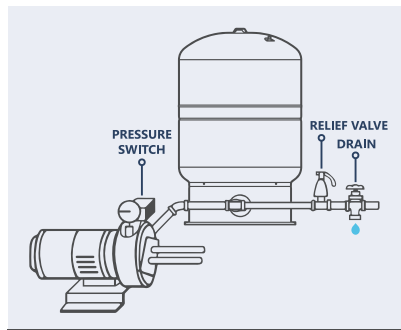


| NEW! | | PART # | MODEL # | DESCRIPTION | INNER CARTON QTY | PALLET QTY. | SELECT MODEL BELOW |
|---------------------------|---------|---|---------|-------------|------------------|--------------------------|--------------------|
| 32 GALLON WELL TANK, TALL | | | | | | | |
| H10012 | HPWT32T | 32 GALLON WELL TANK, TALL [1" Connection Size] | | 1 | - | <input type="checkbox"/> | |

SYSTEM CONFIGURATION

SPECIFICATION INFORMATION

Shell: **Cold Rolled Carbon Steel**
 Finish: **Triple Layer Electrostatic Paint**
 Diaphragm: **Butyl Rubber**
 Liner: **Antimicrobial Polypropylene**
 Connection: **304 Stainless Steel**
 Base: **Plastic**
 Pre-Charge: **40 PSI**
 Max Pressure: **150 PSI**
 Max Temp: **200° F**



PAGE 1 of 2

| DIAMETER (INCH) | HEIGHT (INCH) | DRAWDOWN IN GALS 30/50 PSIG | DRAWDOWN IN GALS 40/60 PSIG | DRAWDOWN IN GALS 50/70 PSIG | BOX LENGTH (INCH) | BOX WIDTH (INCH) | BOX HEIGHT (INCH) | BOX WEIGHT (LBS) | FACTORY PRE-CHARGE | CONNECTION |
|-----------------|---------------|-----------------------------|-----------------------------|-----------------------------|-------------------|------------------|-------------------|------------------|--------------------|------------|
| 15.3 | 45.2 | 9.9 | 8.6 | 7.6 | 15.7 | 15.7 | 46 | 50.1 | 40 PSI | 1" |

JOB NAME:

JOB LOCATION:

CONTRACTOR:

ENGINEER APPROVAL:

DATE:

DATE:

ITEM TAG:

PART NUMBER:

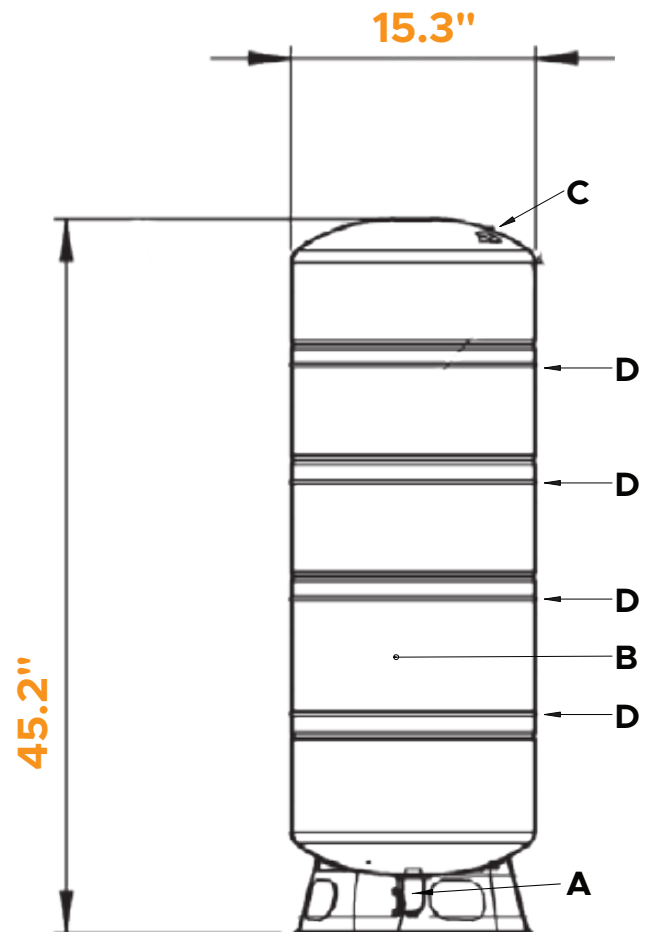
32 GAL. TALL WELL TANK



| NEW! | | PART # | MODEL # | DESCRIPTION | INNER CARTON QTY | PALLET QTY. | SELECT MODEL BELOW |
|---------------------------|---------|---|---------|-------------|------------------|--------------------------|--------------------|
| 32 GALLON WELL TANK, TALL | | | | | | | |
| H10012 | HPWT32T | 32 GALLON WELL TANK, TALL [1" Connection Size] | | 1 | - | <input type="checkbox"/> | |

DIMENSIONS & SYSTEM COMPONENTS

| | |
|---|-----------------------------------|
| A | 1" STAINLESS STEEL CONNECTION 304 |
| B | BUTYL RUBBER DIAPHRAGM |
| C | AIR VALVE |
| D | WELD AREA |



PAGE 2 of 2

JOB NAME:

JOB LOCATION:

CONTRACTOR:

ENGINEER APPROVAL:

DATE:

DATE:

ITEM TAG:

PART NUMBER: