

28 GAL. WELL TANK

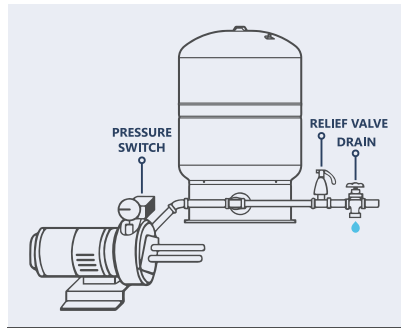


NEW!		PART #	MODEL #	DESCRIPTION	INNER CARTON QTY	PALLET QTY.	SELECT MODEL BELOW
28 GALLON WELL TANK							
H10011	HPWT28	28 GALLON WELL TANK [1" Connection Size]		1	-	<input type="checkbox"/>	

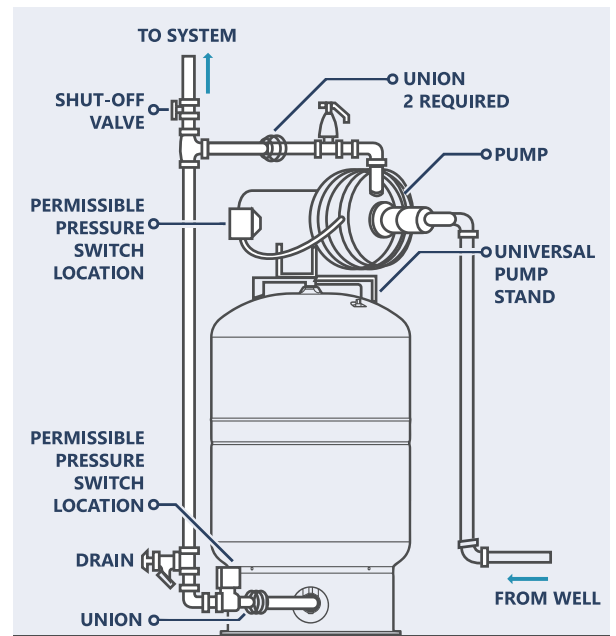


SPECIFICATION INFORMATION

SShell: Cold Rolled Carbon Steel
Finish: Triple Layer Electrostatic Paint
Diaphragm: Butyl Rubber
Liner: Antimicrobial Polypropylene
Connection: 304 Stainless Steel
Base: Plastic
Pre-Charge: 40 PSI
Max Pressure: 150 PSI
Max Temp: 200° F



SYSTEM CONFIGURATION



PAGE 1 of 2

DIAMETER (INCH)	HEIGHT (INCH)	DRAWDOWN IN GALS 30/50 PSIG	DRAWDOWN IN GALS 40/60 PSIG	DRAWDOWN IN GALS 50/70 PSIG	BOX LENGTH (INCH)	BOX WIDTH (INCH)	BOX HEIGHT (INCH)	BOX WEIGHT (LBS)	FACTORY PRE-CHARGE	CONNECTION
16.9	30.1	8.5	7.9	7.3	17.3	17.3	31	33	40 PSI	1"

JOB NAME: _____

JOB LOCATION: _____

CONTRACTOR: _____ DATE: _____

ITEM TAG: _____

ENGINEER APPROVAL: _____ DATE: _____

PART NUMBER: _____

28 GAL. WELL TANK

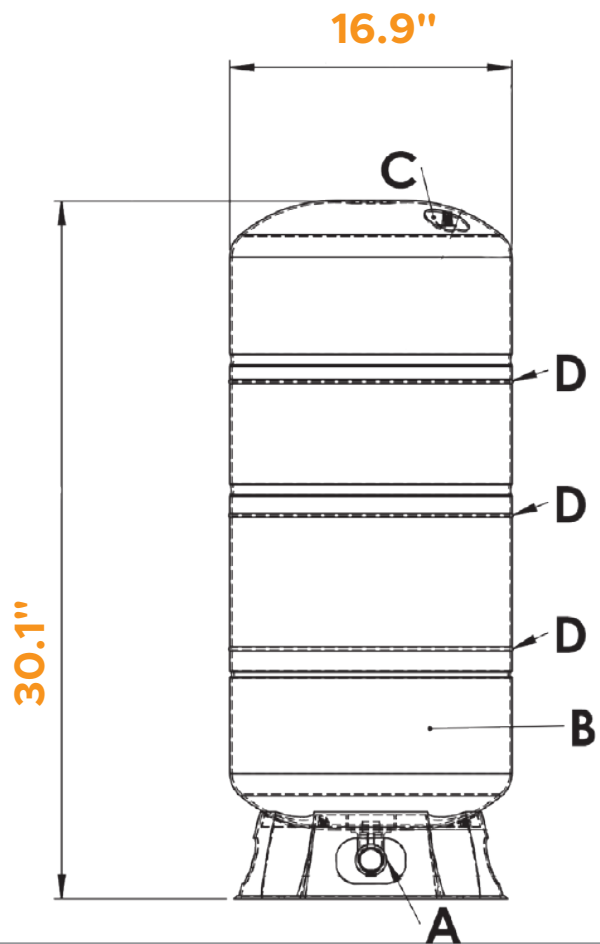


NEW!		PART #	MODEL #	DESCRIPTION	INNER CARTON QTY	PALLET QTY.	SELECT MODEL BELOW
28 GALLON WELL TANK							
H10011	HPWT28	28 GALLON WELL TANK [1" Connection Size]		1	-	<input type="checkbox"/>	



DIMENSIONS & SYSTEM COMPONENTS

A	1" STAINLESS STEEL CONNECTION 304
B	BUTYL RUBBER DIAPHRAGM
C	AIR VALVE
D	WELD AREA



PAGE 2 of 2

JOB NAME:

JOB LOCATION:

CONTRACTOR:

ENGINEER APPROVAL:

DATE:

DATE:

ITEM TAG:

PART NUMBER: