

20 GAL. WELL TANK

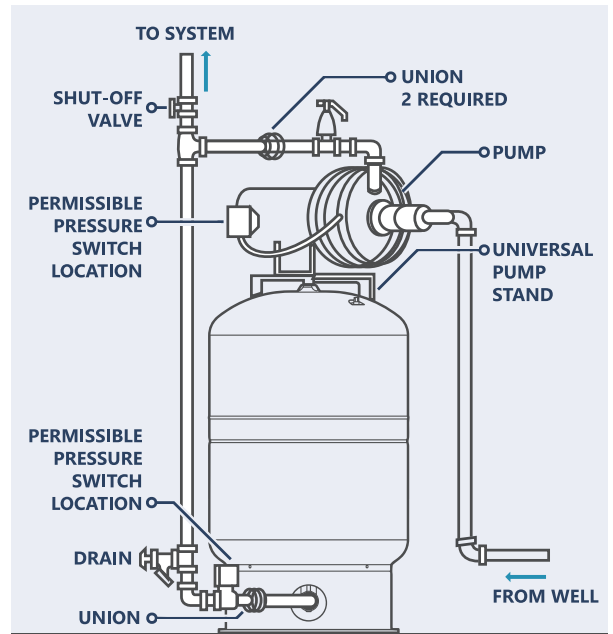
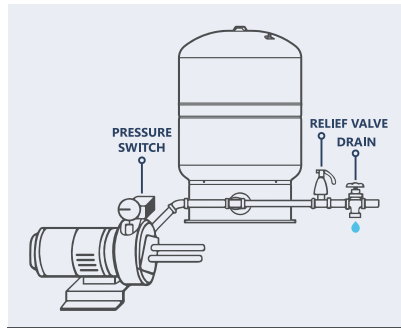


PART #	MODEL #	DESCRIPTION	INNER CARTON QTY	PALLET QTY.	SELECT MODEL BELOW
20 GALLON WELL TANK					
H10010	HPWT20	20 GALLON WELL TANK [1" Connection Size]	1	-	<input type="checkbox"/>

SYSTEM CONFIGURATION

SPECIFICATION INFORMATION

Shell: **Cold Rolled Carbon Steel**
 Finish: **Triple Layer Electrostatic Paint**
 Diaphragm: **Butyl Rubber**
 Liner: **Antimicrobial Polypropylene**
 Connection: **304 Stainless Steel**
 Base: **Plastic**
 Pre-Charge: **40 PSI**
 Max Pressure: **150 PSI**
 Max Temp: **200° F**



PAGE 1 of 2

DIAMETER (INCH)	HEIGHT (INCH)	DRAWDOWN IN GALS 30/50 PSIG	DRAWDOWN IN GALS 40/60 PSIG	DRAWDOWN IN GALS 50/70 PSIG	BOX LENGTH (INCH)	BOX WIDTH (INCH)	BOX HEIGHT (INCH)	BOX WEIGHT (LBS)	FACTORY PRE-CHARGE	CONNECTION
17	27.3	6.8	6	5.5	17.3	17.3	28	30.9	40 PSI	1"

JOB NAME: _____

JOB LOCATION: _____

CONTRACTOR: _____ DATE: _____

ITEM TAG: _____

ENGINEER APPROVAL: _____ DATE: _____

PART NUMBER: _____

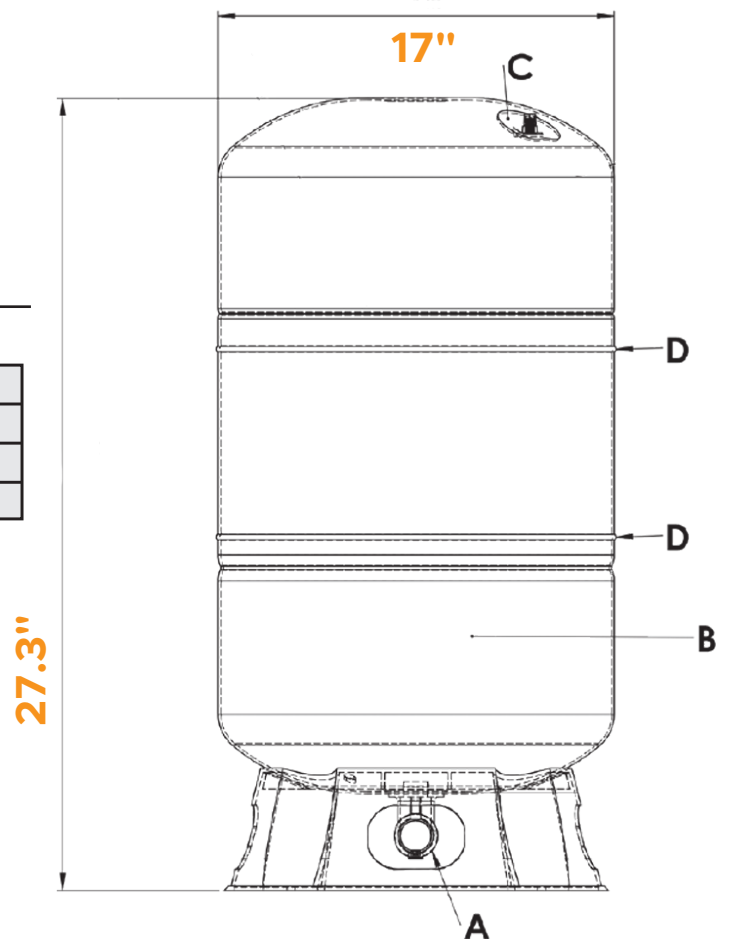
20 GAL. WELL TANK



PART #	MODEL #	DESCRIPTION	INNER CARTON QTY	PALLET QTY.	SELECT MODEL BELOW
20 GALLON WELL TANK					
H10010	HPWT20	20 GALLON WELL TANK [1" Connection Size]	1	-	<input type="checkbox"/>

DIMENSIONS & SYSTEM COMPONENTS

A	1" STAINLESS STEEL CONNECTION 304
B	BUTYL RUBBER DIAPHRAGM
C	AIR VALVE
D	WELD AREA



PAGE 2 of 2

JOB NAME:

JOB LOCATION:

CONTRACTOR:

ENGINEER APPROVAL:

DATE:

DATE:

ITEM TAG:

PART NUMBER: