

14 GAL. WELL TANK

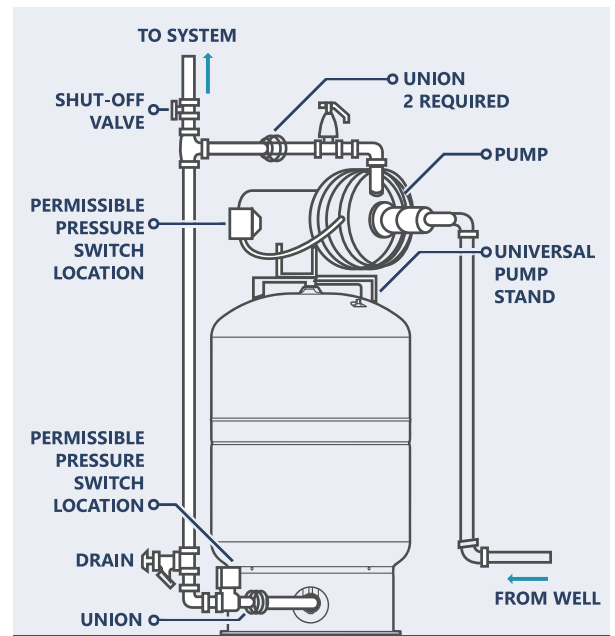
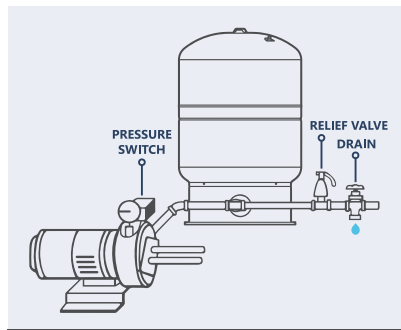


PART #	MODEL #	DESCRIPTION	INNER CARTON QTY	PALLET QTY.	SELECT MODEL BELOW
NEW!					
14 GALLON WELL TANK					
H10023	HPWT14	14 GALLON WELL TANK [1" Connection Size]	1	-	<input type="checkbox"/>

SYSTEM CONFIGURATION

SPECIFICATION INFORMATION

- Shell: **Cold Rolled Carbon Steel**
- Finish: **Triple Layer Electrostatic Paint**
- Diaphragm: **Butyl Rubber**
- Liner: **Antimicrobial Polypropylene**
- Connection: **304 Stainless Steel**
- Base: **Plastic**
- Pre-Charge: **40 PSI**
- Max Pressure: **150 PSI**
- Max Temp: **200° F**



DIAMETER (INCH)	HEIGHT (INCH)	DRAWDOWN IN GALS 30/50 PSIG	DRAWDOWN IN GALS 40/60 PSIG	DRAWDOWN IN GALS 50/70 PSIG	BOX LENGTH (INCH)	BOX WIDTH (INCH)	BOX HEIGHT (INCH)	BOX WEIGHT (LBS)	FACTORY PRE-CHARGE	CONNECTION
15.3	23.4	4.3	3.8	3.2	15.7	15.7	24.2	24.3	40 PSI	1"

JOB NAME: _____

JOB LOCATION: _____

CONTRACTOR: _____ DATE: _____ ITEM TAG: _____

ENGINEER APPROVAL: _____ DATE: _____ PART NUMBER: _____

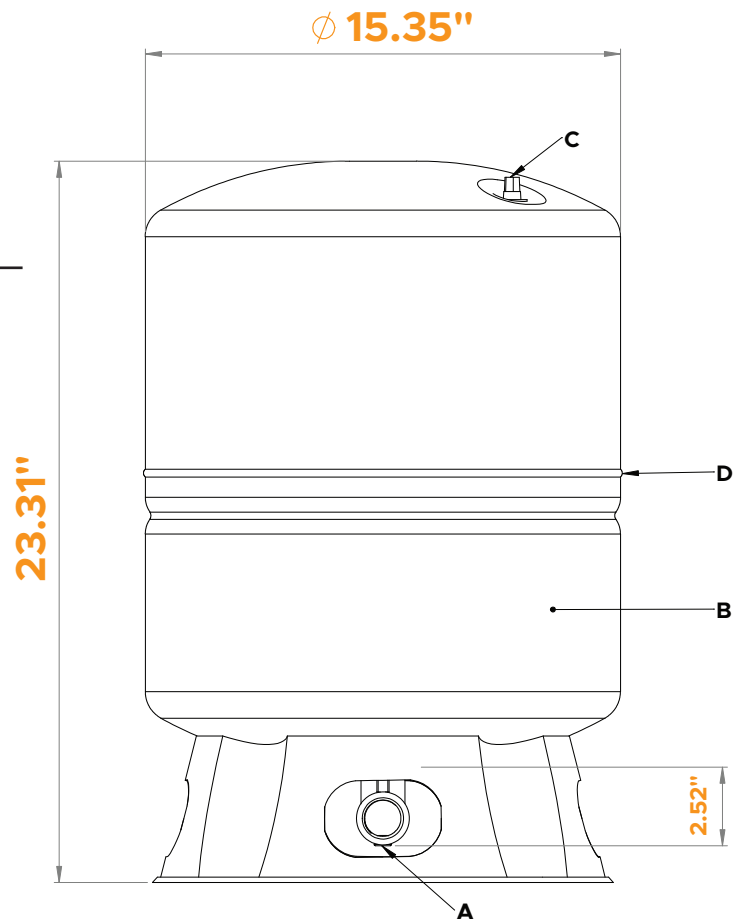
14 GAL. WELL TANK



NEW!		PART #	MODEL #	DESCRIPTION	INNER CARTON QTY	PALLET QTY.	SELECT MODEL BELOW
14 GALLON WELL TANK							
H10023	HPWT14	14 GALLON WELL TANK (1" Connection Size)		1	-	<input type="checkbox"/>	

DIMENSIONS & SYSTEM COMPONENTS

A	1" STAINLESS STEEL CONNECTION 304
B	BUTYL RUBBER DIAPHRAGM
C	AIR VALVE
D	WELD AREA



PAGE 2 of 2

JOB NAME:

JOB LOCATION:

CONTRACTOR:

ENGINEER APPROVAL:

DATE:

DATE:

ITEM TAG:

PART NUMBER: