

## 6 GAL. HORIZONTAL WELL TANK



NEW!		PART #	MODEL #	DESCRIPTION	INNER CARTON QTY	PALLET QTY.	SELECT MODEL BELOW
<b>6 GALLON HORIZONTAL MOUNT WELL TANK</b>							
	H10009	HPWT6H	6 GALLON HORIZ. MOUNT WELL TANK (1" Connection Size)	1	-	<input type="checkbox"/>	

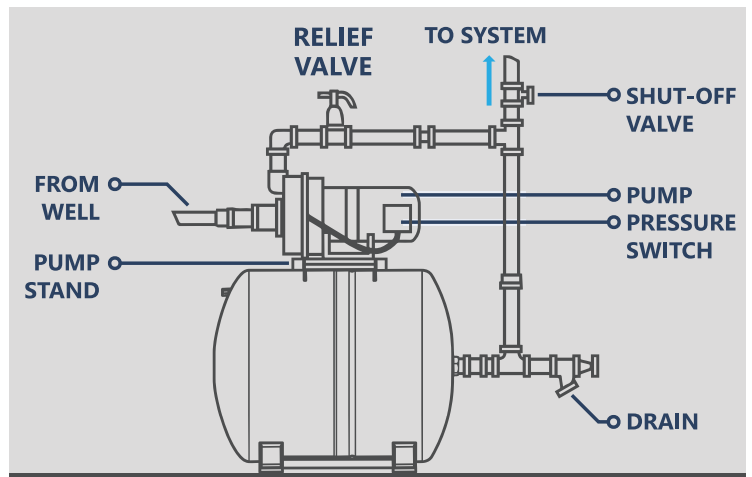


### SYSTEM CONFIGURATION

#### SPECIFICATION INFORMATION

Shell: **Cold Rolled Carbon Steel**  
 Finish: **Triple Layer Electrostatic Paint**  
 Diaphragm: **Butyl Rubber**  
 Liner: **Antimicrobial Polypropylene**  
 Connection: **304 Stainless Steel**  
 Base: **Plastic**  
 Pre-Charge: **40 PSI**  
 Max Pressure: **150 PSI**  
 Max Temp: **200° F**

**TANK INCLUDES PLASTIC PUMP STAND**



DIAMETER (INCH)	HEIGHT (INCH)	DRAWDOWN IN GALS 30/50 PSIG	DRAWDOWN IN GALS 40/60 PSIG	DRAWDOWN IN GALS 50/70 PSIG	BOX LENGTH (INCH)	BOX WIDTH (INCH)	BOX HEIGHT (INCH)	BOX WEIGHT (LBS)	FACTORY PRE-CHARGE	CONNECTION
11.4	12.8	2	1.8	1.6	17.1	12	13.6	11.9	40 PSI	1"

JOB NAME:

JOB LOCATION:

CONTRACTOR:

DATE:




ITEM TAG:

ENGINEER APPROVAL:

DATE:

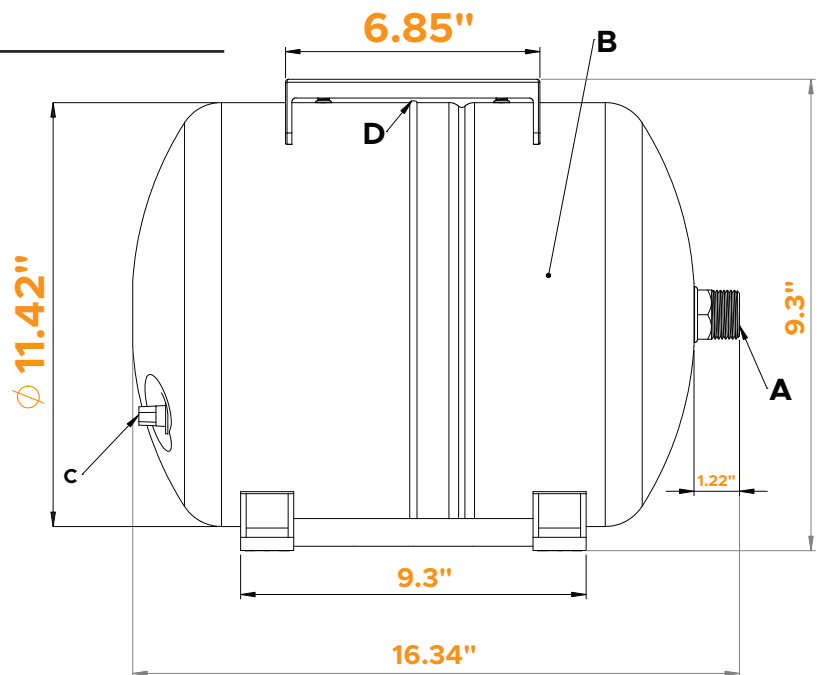
PART NUMBER:

## 6 GAL. HORIZONTAL WELL TANK

	NEW!		DESCRIPTION	INNER CARTON QTY	PALLET QTY.	SELECT MODEL BELOW
	PART #	MODEL #				
<b>6 GALLON HORIZONTAL MOUNT WELL TANK</b>						
 	H10009	HPWT6H	6 GALLON HORIZ. MOUNT WELL TANK (1" Connection Size)	1	-	<input type="checkbox"/>

### DIMENSIONS & SYSTEM COMPONENTS

A	1" STAINLESS STEEL CONNECTION 304
B	BUTYL RUBBER DIAPHRAGM
C	AIR VALVE
D	WELD AREA



PAGE 2 of 2

JOB NAME:

JOB LOCATION:

CONTRACTOR:

ENGINEER APPROVAL:

DATE:

DATE:

ITEM TAG:

PART NUMBER: