

## THERMAL EXPANSION RELIEF BALL VALVE - F1807 PEX



| PART # | MODEL # | DESCRIPTION (SIZE) | INNER CARTON QTY. | MASTER CARTON QTY. | SELECT MODEL BELOW |
|--------|---------|--------------------|-------------------|--------------------|--------------------|
|--------|---------|--------------------|-------------------|--------------------|--------------------|

**THERMAL EXPANSION RELIEF BALL VALVE - F1807 PEX**

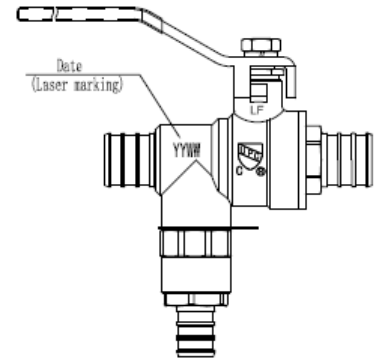
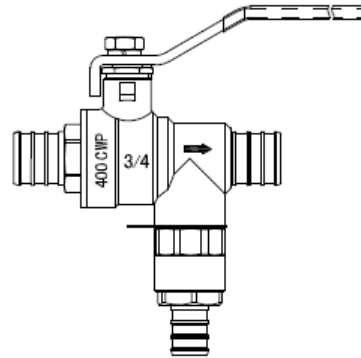
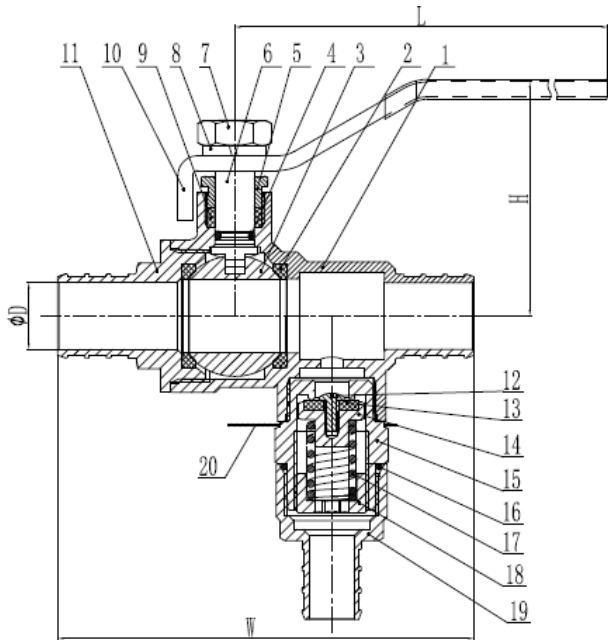
|        |               |  |   |    |                          |
|--------|---------------|--|---|----|--------------------------|
| H50059 | HPTEBVF180734 | 3/4" THERMAL EXPANSION RELIEF BALL VALVE - F1807 PEX | 1 | 12 | <input type="checkbox"/> |
|--------|---------------|--|---|----|--------------------------|

- Forged Brass Body
- Thread conforms to ANSI B1.20.1
- Blow Out Proof Stem Design
- Packing Nut
- Handle With Vinyl Grip



**RELIEF CONNECTION DETAIL:**

- Ships with 1/2" F1807 installed
- Relief Pressure is Factory Set at 125 PSI
- Additional Relief Outlet Fittings Loose in Box: 1/2" FIP, 3/8" Barb, 3/8" Compression



dimensions in mm

| SIZE | D    | W    | H    | L  |
|------|------|------|------|----|
| 3/4" | 13.5 | 84.5 | 47.5 | 88 |

PAGE 1 OF 2

CONTINUED ON PAGE 2

JOB NAME: \_\_\_\_\_

JOB LOCATION: \_\_\_\_\_

CONTRACTOR: \_\_\_\_\_ DATE: \_\_\_\_\_

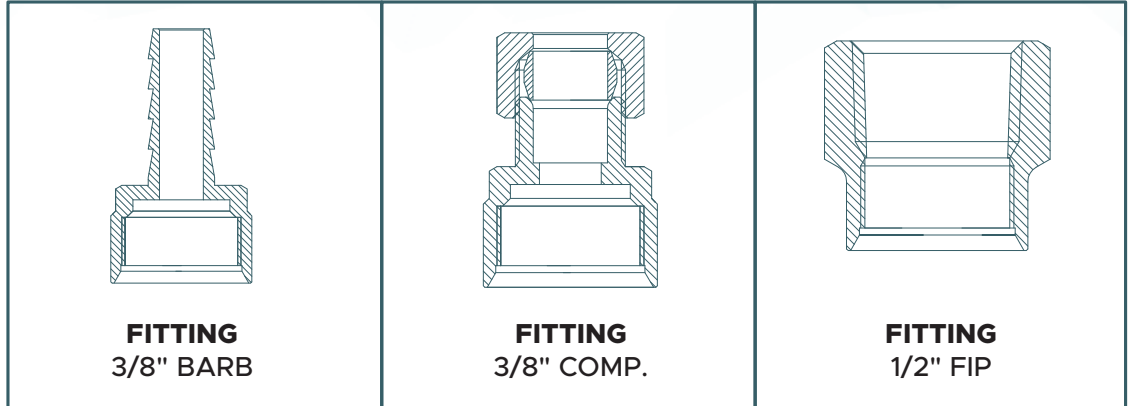
ENGINEER APPROVAL: \_\_\_\_\_ DATE: \_\_\_\_\_

ITEM TAG: \_\_\_\_\_

PART NUMBER: \_\_\_\_\_

## THERMAL EXPANSION RELIEF BALL VALVE - F1807 PEX

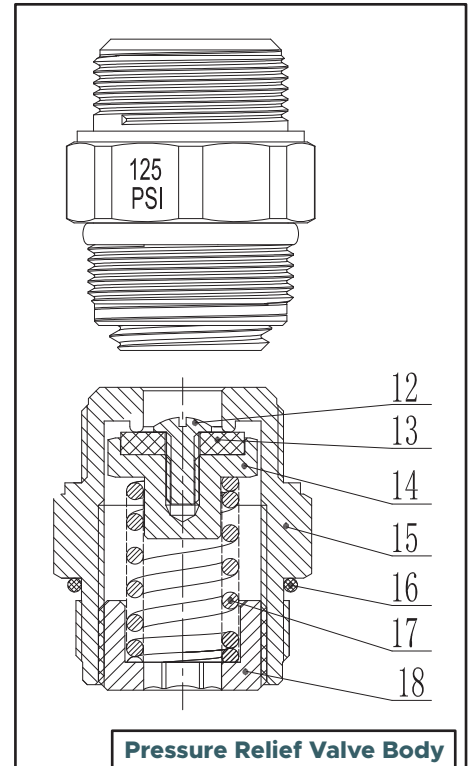
### ADDITIONAL RELIEF OUTLET FITTINGS INCLUDED



| NO. | PART            | MATERIAL        |
|-----|-----------------|-----------------|
| 1   | Ball Valve Body | Lead-Free Brass |
| 2   | Seat            | PTFE            |
| 3   | Ball            | SS304           |
| 4   | Stem O-Ring     | NBR             |
| 5   | Packing Nut     | Brass           |
| 6   | Stem            | Brass           |
| 7   | Handle Nut      | Plated Steel    |
| 8   | Lock Washer     | Plated Steel    |
| 9   | Packing         | PTFE            |
| 10  | Handle          | Plated Steel    |

| NO. | PART             | MATERIAL        |
|-----|------------------|-----------------|
| 11  | Ball Valve Cap   | Lead-Free Brass |
| 12  | Screw            | SS304           |
| 13  | Rubber Washer    | FKM             |
| 14  | Plug             | Lead-Free Brass |
| 15  | Interface Body   | Lead-Free Brass |
| 16  | O-Ring           | EPDM            |
| 17  | Spring           | SS304           |
| 18  | Regulating Joint | Lead-Free Brass |

| NO. | PART                 | MATERIAL       |
|-----|----------------------|----------------|
| 19  | Fitting (1/2" F1960) | Brass          |
|     | Fitting (3/8" Barb)  | Brass          |
|     | Fitting (3/8" Comp.) | Brass          |
|     | Fitting (1/2" NPT)   | Brass          |
| 20  | Nameplate            | Aluminum Alloy |



### PAGE 2 OF 2

JOB NAME: \_\_\_\_\_

JOB LOCATION: \_\_\_\_\_

CONTRACTOR: \_\_\_\_\_

DATE: \_\_\_\_\_

ITEM TAG: \_\_\_\_\_

ENGINEER APPROVAL: \_\_\_\_\_

DATE: \_\_\_\_\_

PART NUMBER: \_\_\_\_\_