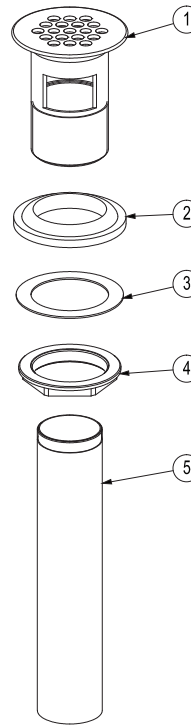
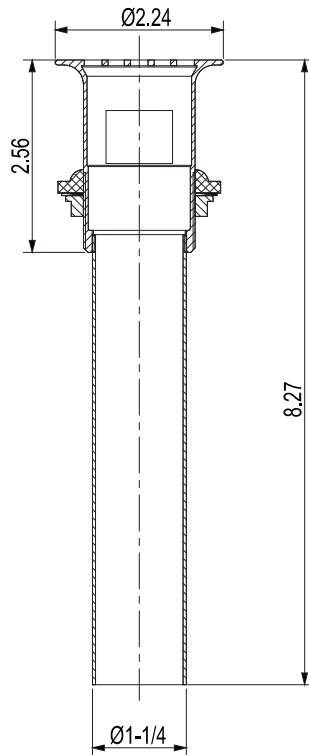


## BRASS LAVATORY GRID DRAIN

PART #	MODEL #	DESCRIPTION (SIZE)	INNER CARTON QTY	MASTER CARTON QTY	SELECT MODEL BELOW
<b>BRASS LAVATORY GRID DRAIN</b>					
H20008	HPGD114	BRASS COMMERCIAL LAVATORY GRID DRAIN WITH OVERFLOW	1	50	<input type="checkbox"/>



1	MAIN BODY
2	GASKET
3	GASKET
4	LOCKNUT
5	TUBULAR



### FEATURES & BENEFITS

- Brass Body with Chrome Finish
- 17 Gauge Tubular
- 1-1/4" x 6" Tailpiece
- Brass Locknut & Mack Washer Included
- For Sinks with Overflow
- UPC Certified

JOB NAME: \_\_\_\_\_

JOB LOCATION: \_\_\_\_\_

CONTRACTOR: \_\_\_\_\_

DATE: \_\_\_\_\_

ITEM TAG: \_\_\_\_\_

ENGINEER APPROVAL: \_\_\_\_\_

DATE: \_\_\_\_\_

PART NUMBER: \_\_\_\_\_