

STAINLESS STEEL SINKS



PART #	MODEL #	DESCRIPTION	MAKE SELECTION BELOW
DOUBLE BOWL KITCHEN SINK (33" x 22" x 7")			
H75014	HPKS332274	22 GAUGE 4 HOLE	<input type="checkbox"/>

Installation Type: Drop In

Material: 304 Stainless Steel

Gauge: 22

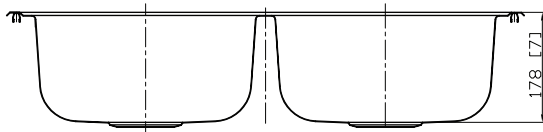
Number of Bowls: 2

Sink Dimensions: 33" x 22" x 7"

Drain Location: Center

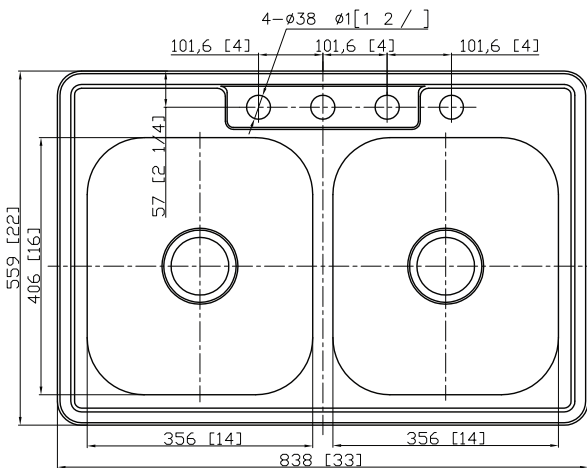
Cutout Template: 4 HOLE

Cutout Dimension: N/A



ADDITIONAL STAINLESS STEEL SINK DETAILS & INFORMATION

- One piece drawing, no welding and no center seam
- 304 Stainless Steel
- Meets UPC standards
- Sound deadening pads



JOB NAME:

JOB LOCATION:

CONTRACTOR:

DATE:

ENGINEER APPROVAL:

DATE:

ITEM TAG:

PART NUMBER:



Sinks are listed by IAPMO® as meeting the applicable requirements of the Uniform Plumbing Code®, International Plumbing Code®, and National Plumbing Code of Canada.