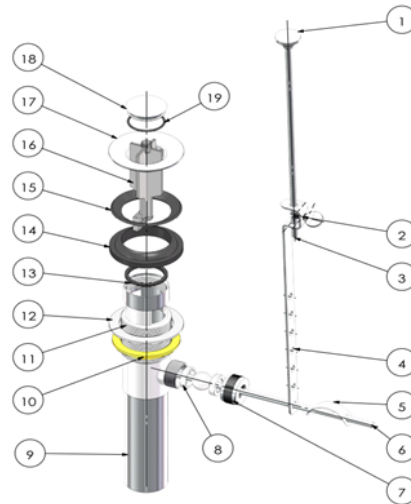
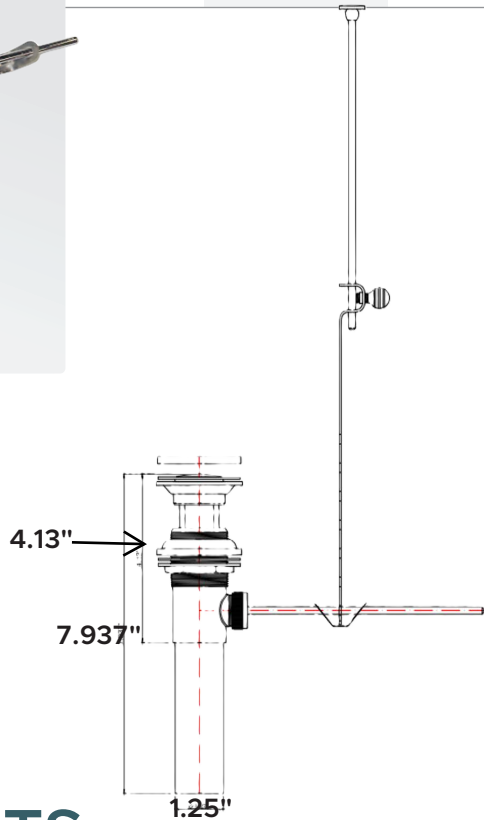


BRASS LAVATORY POP-UP DRAIN with OVERFLOW

PART #	MODEL #	DESCRIPTION (SIZE)	INNER CARTON QTY	MASTER CARTON QTY	SELECT MODEL BELOW
CHROME PLATED BRASS LAVATORY POP UP DRAIN with OVERFLOW					
H19990	HPLPU114	1-1/4" CHROME PLATED BRASS POP-UP ASSEMBLY W/OVERFLOW	1	25	<input type="checkbox"/>



19	O-Ring
18	Stopper
17	Flange Body
16	Plastic Stopper Body
15	Rubber Washer
14	Rubber Washer
13	Rubber Seal
12	Plastic Gasket
11	Drain Body
10	Lock Nut
9	Tail Piece Tubular
8	Plastic Seat
7	Retaining Nut
6	Ball Rod
5	Spring Clip
4	Linkage adjustable Strap
3	Lift Rod
2	Set Screw
1	Pop-Up Head



FEATURES & BENEFITS

- CP Forged Brass Drain Body & Flange
- CP Brass 1-1/4" 22 Gauge Tailpiece
- For Sinks with Overflow
- Includes: CP Brass Knob, CP Steel Lift Rod & Ball Rod, CP Brass Knob Nut, Zinc-Plated Steel Clevis Strap

JOB NAME:

JOB LOCATION:

CONTRACTOR:

DATE:

ITEM TAG:

ENGINEER APPROVAL:

DATE:

PART NUMBER: