

QUARTER TURN ANGLE SUPPLY STOP - PRESS INLET



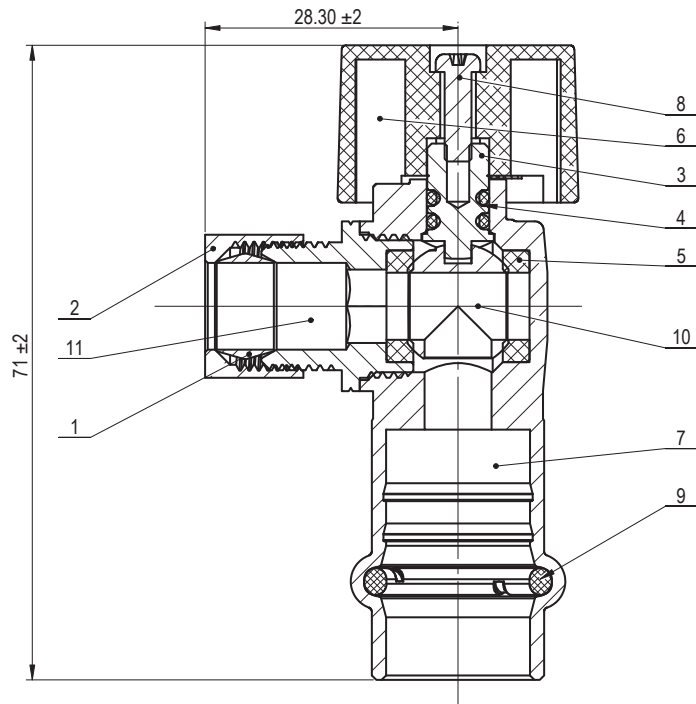
PART #	MODEL #	DESCRIPTION	INNER CARTON QTY.	MASTER CARTON QTY.	SELECT MODEL BELOW
1/4 TURN ANGLE SUPPLY STOP - PRESS INLET					
H49019	HPQTLFPRESSAS	1/2" PRESS x 3/8" OD ANGLE STOP VALVE	24	96	<input type="checkbox"/>



FEATURES & MATERIALS

- Chrome Plated Brass
- Internally Bagged and Barcoded
- Internal Brass Ball
- cUPC Approved and Lead-Free
- Teflon Seats

NO.	PART	MATERIAL
1	Crimp	H62
2	Union Nut	C37700
3	Stem	C46500
4	O-Ring	EPDM
5	Seat	PTFE
6	Handle	ABS
7	Body	C46500
8	Screws	AISI201
9	O-Ring	EPDM
10	Ball	C46500
11	Bonnet	C46500



JOB NAME:

JOB LOCATION:

CONTRACTOR:

DATE:

ITEM TAG:

ENGINEER APPROVAL:

DATE:

PART NUMBER: