

THREADED PVC BALL VALVES



PART #	MODEL #	DESCRIPTION (SIZE)	INNER CARTON QTY.	MASTER CARTON QTY.	SELECT MODEL BELOW
THREADED PVC BALL VALVE - SCH 40					
H51074	THD4012	1/2" x 1/2" SOLVENT WELD BALL VALVE	24	240	<input type="checkbox"/>
H51075	THD4034	3/4" x 3/4" SOLVENT WELD BALL VALVE	20	200	<input type="checkbox"/>
H51076	THD401	1" x 1" SOLVENT WELD BALL VALVE	10	100	<input type="checkbox"/>
H51078	THD40112	1-1/2" x 1-1/2" SOLVENT WELD BALL VALVE	5	40	<input type="checkbox"/>
H51079	THD402	2" x 2" SOLVENT WELD BALL VALVE	3	24	<input type="checkbox"/>

FEATURES & BENEFITS

- Schedule 40
- EPDM Seats & O-Rings
- Impact Resistant
- Blue Handle
- **Max Working Pressure: 150 PSI**
- Valves **ARE NOT NSF** Approved

SEE PAGE 2 FOR SIZING INFORMATION

JOB NAME:

JOB LOCATION:

CONTRACTOR:

DATE:

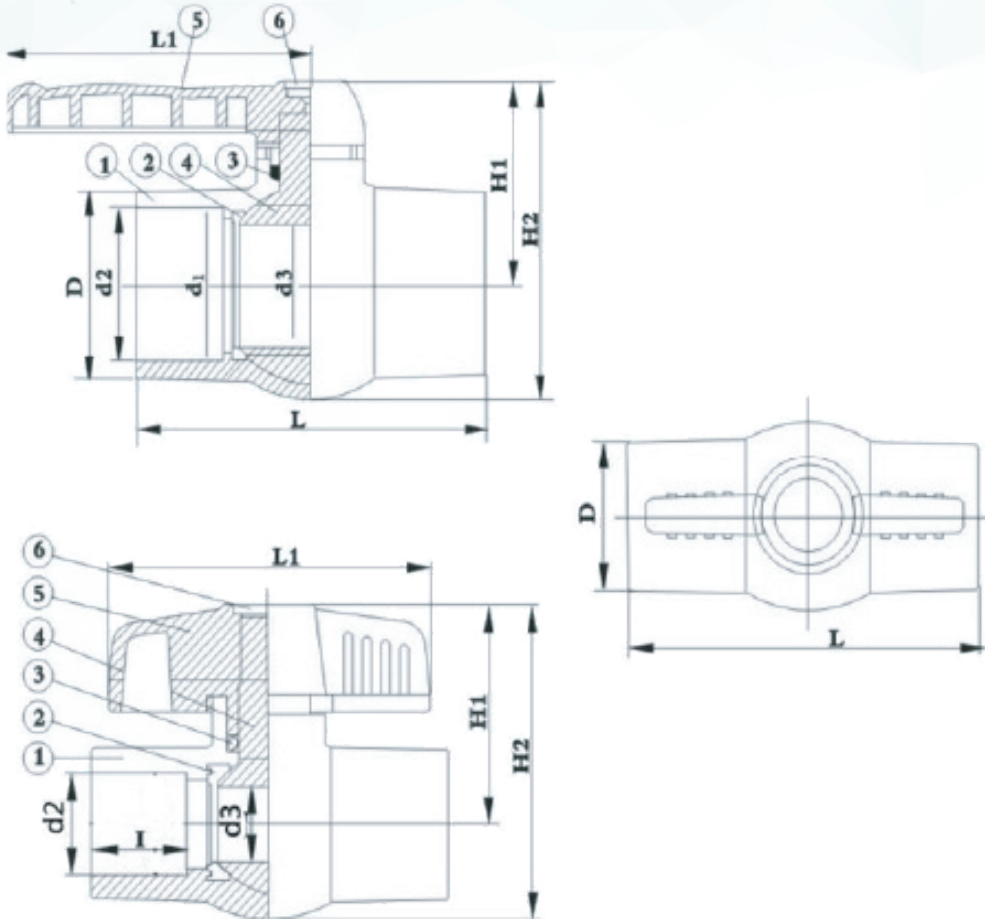
ITEM TAG:

ENGINEER APPROVAL:

DATE:

PART NUMBER:

THREADED PVC BALL VALVES



MODEL #	SIZE	d2	d3	D	L	L1	I	H1	H2
THD4012	1/2"	-	-	-	-	-	-	-	-
THD4034	3/4"	0.551	0.787	1.354	3.299	3.008	0.969	2.031	2.874
THD401	1"	0.453	0.984	1.665	3.835	3.543	1.102	2.295	3.331
THD40112	1-1/2"	-	-	-	-	-	-	-	-
THD402	2"	0.453	1.772	2.815	5.457	5.157	1.394	3.287	4.980

NO.	PART	MATERIAL	QTY.
1	BODY	U-PVC	1
2	SEAT SEAL	TPE	2
3	STEM O-RING	NBR	1
4	BALL	PP	1
5	HANDLE	PP	1
6	CAP	PP	1

JOB NAME:

JOB LOCATION:

CONTRACTOR:

DATE:

ITEM TAG:

ENGINEER APPROVAL:

DATE:

PART NUMBER: