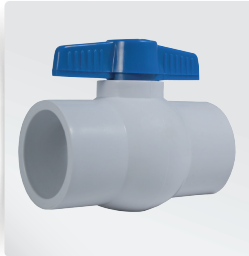


SOLVENT WELD PVC BALL VALVES



PART #	MODEL #	DESCRIPTION (SIZE)	INNER CARTON QTY.	MASTER CARTON QTY.	SELECT MODEL BELOW
SOLVENT WELD PVC BALL VALVE - SCH 40					
H51065	SW4012	1/2" x 1/2" SOLVENT WELD BALL VALVE	24	240	<input type="checkbox"/>
H51066	SW4034	3/4" x 3/4" SOLVENT WELD BALL VALVE	20	200	<input type="checkbox"/>
H51067	SW401	1" x 1" SOLVENT WELD BALL VALVE	10	100	<input type="checkbox"/>
H51068	SW40114	1-1/4" x 1-1/4" SOLVENT WELD BALL VALVE	8	64	<input type="checkbox"/>
H51069	SW40112	1-1/2" x 1-1/2" SOLVENT WELD BALL VALVE	5	40	<input type="checkbox"/>
H51070	SW402	2" x 2" SOLVENT WELD BALL VALVE	3	24	<input type="checkbox"/>
H51071	SW40212	2-1/2" x 2-1/2" SOLVENT WELD BALL VALVE	1	12	<input type="checkbox"/>
H51072	SW403	3" x 3" SOLVENT WELD BALL VALVE	1	9	<input type="checkbox"/>
H51073	SW404	4" x 4" SOLVENT WELD BALL VALVE	1	6	<input type="checkbox"/>

FEATURES & BENEFITS

- Schedule 40
- EPDM Seats & O-Rings
- Impact Resistant
- Blue Handle
- **Max Working Pressure: 150 PSI**
- Valves **ARE NOT NSF** Approved



LARGER SIZES MAY LOOK LIKE THIS

SEE PAGE 2 FOR SIZING INFORMATION

JOB NAME:

JOB LOCATION:

CONTRACTOR:

ENGINEER APPROVAL:

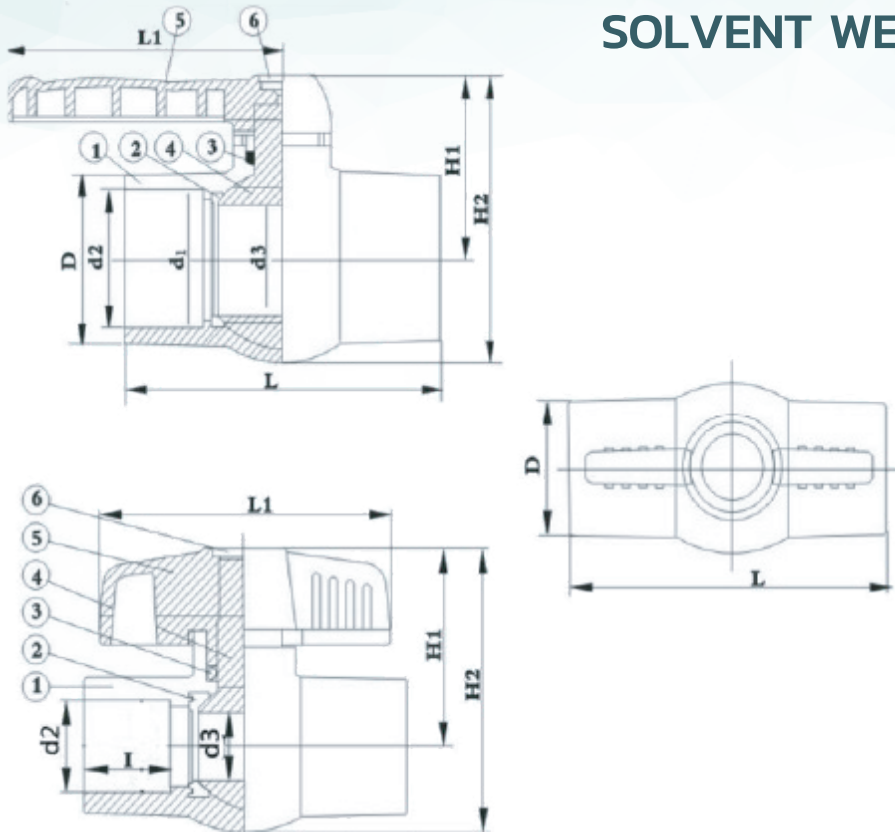
DATE:

DATE:

ITEM TAG:

PART NUMBER:

SOLVENT WELD PVC BALL VALVES



MODEL #	SIZE	d2	d3	D	L	L1	I	H1	H2
SW4012	1/2"	0.834	0.591	1.181	2.756	2.748	0.740	1.661	2.370
SW4034	3/4"	1.050	0.787	1.421	3.299	3.008	0.969	2.031	2.874
SW401	1"	1.310	0.984	1.717	3.835	3.543	1.102	2.295	3.331
SW40114	1-1/4"	1.660	1.220	2.051	4.205	4.016	1.134	2.465	3.685
SW40112	1-1/2"	1.900	1.417	2.283	4.783	4.331	1.276	2.894	4.291
SW402	2"	2.370	1.772	2.827	5.457	5.157	1.394	3.287	4.980
SW40212	2-1/2"	2.870	2.362	3.555	6.969	6.299	1.701	3.898	6.102
SW403	3"	3.500	2.874	4.252	9.583	6.929	2.717	4.567	7.323
SW404	4"	4.500	3.268	5.295	11.260	7.047	3.118	5.354	8.740

NO.	PART	MATERIAL	QTY.
1	BODY	U-PVC	1
2	SEAT SEAL	TPE	2
3	STEM O-RING	NBR	1
4	BALL	PP	1
5	HANDLE	PP	1
6	CAP	PP	1

JOB NAME:

JOB LOCATION:

CONTRACTOR:

DATE:

ITEM TAG:

ENGINEER APPROVAL:

DATE:

PART NUMBER: