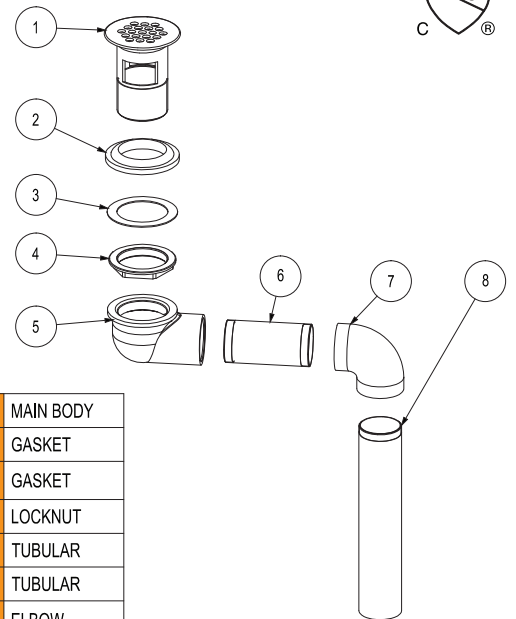
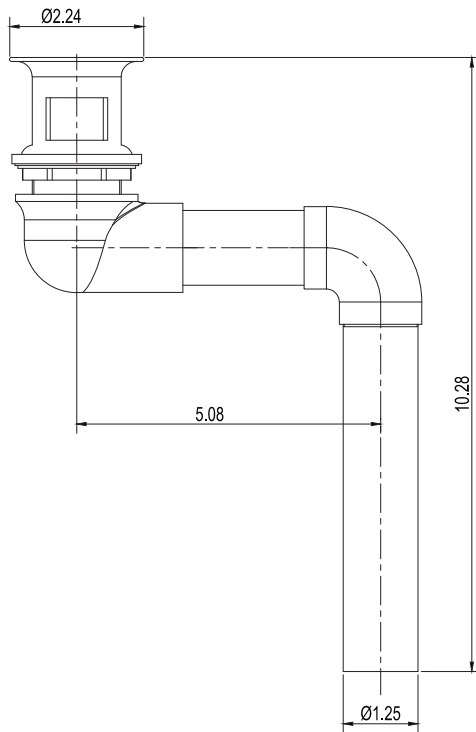


## BRASS OFFSET LAVATORY GRID DRAIN

PART #	MODEL #	DESCRIPTION (SIZE)	INNER CARTON QTY	MASTER CARTON QTY	SELECT MODEL BELOW
<b>BRASS OFFSET LAVATORY GRID DRAIN</b>					
H20009	HPOSGD114	BRASS OFFSET COMMERCIAL LAVATORY GRID DRAIN WITH OVERFLOW	1	25	<input type="checkbox"/>



1	MAIN BODY
2	GASKET
3	GASKET
4	LOCKNUT
5	TUBULAR
6	TUBULAR
7	ELBOW
8	TUBULAR



### FEATURES & BENEFITS

- Brass Body with Chrome Finish
- 17 Gauge Tubular
- 1-1/4" x 6" Tailpiece
- **Offset Configuration for ADA Installs**
- Brass Locknut & Mack Washer Included
- For Sinks with Overflow
- UPC Certified

JOB NAME: \_\_\_\_\_

JOB LOCATION: \_\_\_\_\_

CONTRACTOR: \_\_\_\_\_ DATE: \_\_\_\_\_

ENGINEER APPROVAL: \_\_\_\_\_ DATE: \_\_\_\_\_

ITEM TAG: \_\_\_\_\_

PART NUMBER: \_\_\_\_\_