

BRASS BALL VALVES LOCKING HANDLE ONLY



PART #	MODEL #	DESCRIPTION (SIZE)	INNER CARTON QTY.	MASTER CARTON QTY.	SELECT MODEL BELOW
BRASS BALL VALVES LOCKING HANDLE ONLY					
H52061	HPFPBVLH1	1/2"-3/4" LOCKING HANDLE FOR BRASS BALL VALVE	10	100	<input type="checkbox"/>
H52062	HPFPBVLH2	1" LOCKING HANDLE FOR BRASS BALL VALVE	10	100	<input type="checkbox"/>
H52063	HPFPBVLH3	1-1/4" - 2" LOCKING HANDLE FOR BRASS BALL VALVE	5	20	<input type="checkbox"/>
H52064	HPFPBVLH4	2-1/2" LOCKING HANDLE FOR BRASS BALL VALVE	2	8	<input type="checkbox"/>
H52065	HPFPBVLH5	3" LOCKING HANDLE FOR BRASS BALL VALVE	2	8	<input type="checkbox"/>
H52066	HPFPBVLH6	4" LOCKING HANDLE FOR BRASS BALL VALVE	2	8	<input type="checkbox"/>

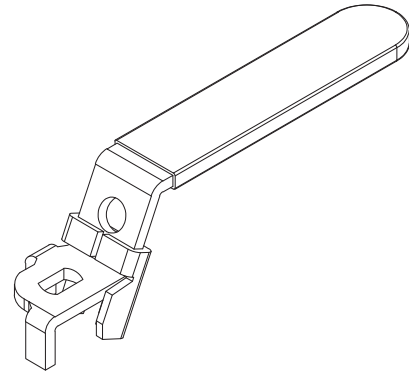
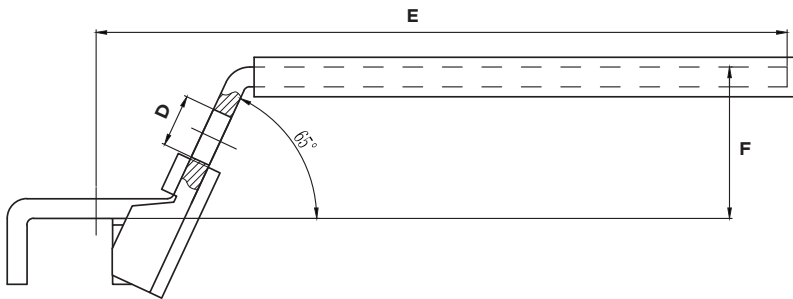
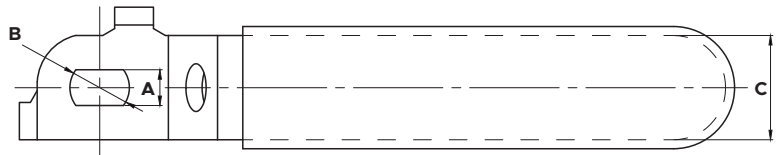
SPECIAL NOTE: Must confirm packaging/date code to ensure fit on the correct generation of ball valves.

FEATURES & BENEFITS

- Fits HydraPro IBVT600 & IBVS600 Brass Ball Valves
- Rubber Handle
- Lead-Free
- Locking Handle Design
- Plated Steel



MODEL	A	B	C	D	E	F
HPFPBVLH1	5	8	15	5	81	22
HPFPBVLH2	6	10	17.5	8	105	23
HPFPBVLH3	8	12	22	8	135	37
HPFPBVLH4	12	18	30	8	176	45
HPFPBVLH5	12	18	30	8	188	45
HPFPBVLH6	12	18	30	8	206	48



JOB NAME: _____

JOB LOCATION: _____

CONTRACTOR: _____

DATE: _____

ITEM TAG: _____

ENGINEER APPROVAL: _____

DATE: _____

PART NUMBER: _____