



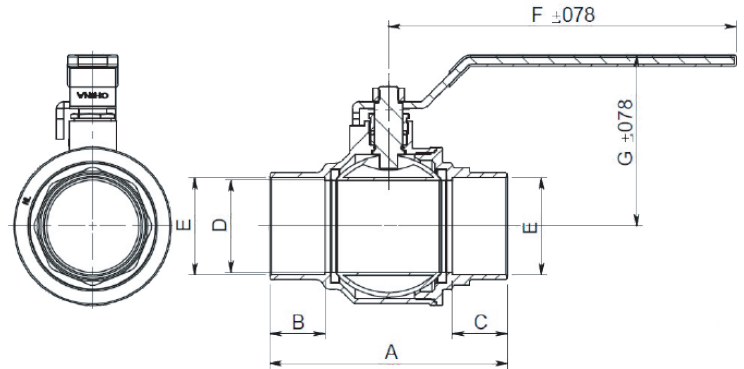
## 2½" - 4" SWEAT BRASS BALL VALVES: FULL PORT, 400 WOG

| PART #                                   | MODEL #      | DESCRIPTION (SIZE)                     | INNER CARTON QTY. | MASTER CARTON QTY. | SELECT MODEL BELOW       |
|--|--------------|--|-------------------|--------------------|--------------------------|
| <b>BRASS BALL VALVES (SWEAT x SWEAT)</b> |              |  |                   |                    |                          |
| H50006                                   | IBVS600LF212 | 2-1/2" x 2-1/2" BRASS SWEAT BALL VALVE | 2                 | 4                  | <input type="checkbox"/> |
| H50007                                   | IBVS600LF3   | 3" x 3" BRASS SWEAT BALL VALVE         | 2                 | 4                  | <input type="checkbox"/> |
| H50008                                   | IBVS600LF4   | 4" x 4" BRASS SWEAT BALL VALVE         | 1                 | 2                  | <input type="checkbox"/> |

### FEATURES & BENEFITS

- Brass Construction
- 400 WOG
- Lead-Free
- Complies with IAPMO / ANSI Z1157-2014e1
- Complies with NSF / ANSI 14-2010a
- Sweat Connection
- Full Port

|        | A    | B    | C    | D     | E     | F    | G    |
|--------|------|------|------|-------|-------|------|------|
| 2-1/2" | 6.45 | 1.50 | 1.50 | ø2.50 | ø2.63 | 9.45 | 4.64 |
| 3"     | 7.52 | 1.69 | 1.69 | ø3.03 | ø3.13 | 9.45 | 5.02 |
| 4"     | 9.48 | 2.17 | 2.17 | ø3.94 | ø4.13 | 9.45 | 5.92 |



PAGE 1 OF 2

CONTINUED ON PAGE 2

JOB NAME: \_\_\_\_\_

JOB LOCATION: \_\_\_\_\_

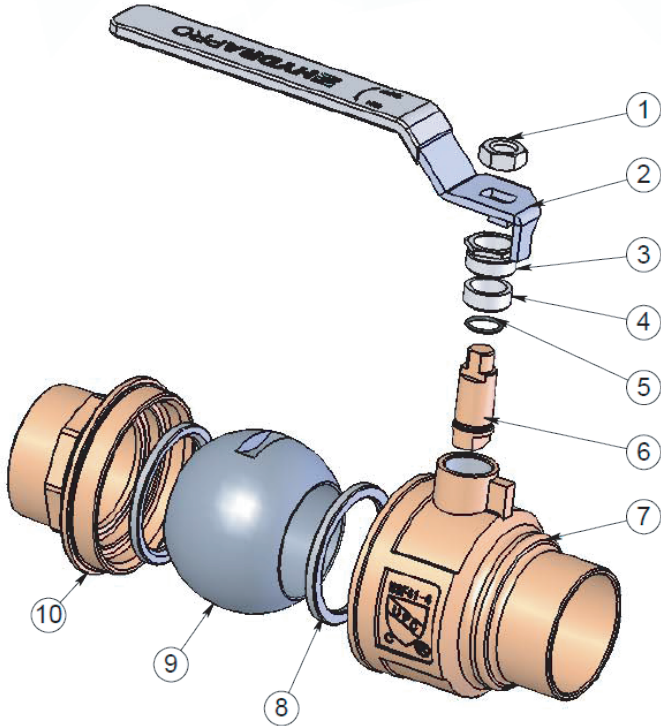
CONTRACTOR: \_\_\_\_\_ DATE: \_\_\_\_\_

ITEM TAG: \_\_\_\_\_

ENGINEER APPROVAL: \_\_\_\_\_ DATE: \_\_\_\_\_

PART NUMBER: \_\_\_\_\_

## 2½" - 4" SWEAT BRASS BALL VALVES: FULL PORT, 400 WOG



| NO. | PART          | MATERIAL        |
|-----|---------------|-----------------|
| 1   | Hex-Nut       | Steel           |
| 2   | Handle        | Steel           |
| 3   | Packing Nut   | Brass           |
| 4   | Packing Gland | PTFE            |
| 5   | O-Ring        | EPDM            |
| 6   | Stem          | C36000 Brass    |
| 7   | Body          | C46500 Brass    |
| 8   | Seats         | PTFE            |
| 9   | Ball          | Stainless Steel |
| 10  | Bonnet        | C46500 Brass    |

**PAGE 2 OF 2**

JOB NAME:

JOB LOCATION:

CONTRACTOR:

DATE:

ITEM TAG:

ENGINEER APPROVAL:

DATE:

PART NUMBER: