

2½" - 4" IPS x IPS BRASS BALL VALVES: FULL PORT, 400 WOG

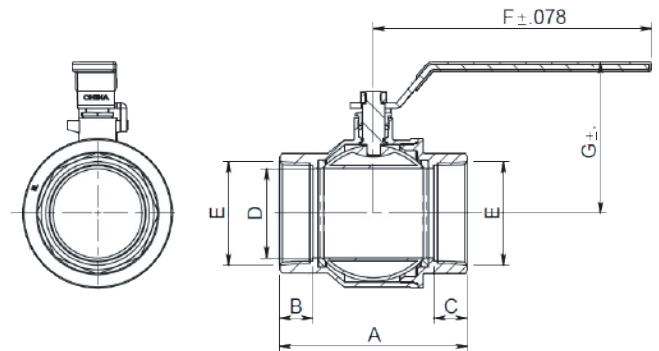


PART #	MODEL #	DESCRIPTION (SIZE)	INNER CARTON QTY.	MASTER CARTON QTY.	SELECT MODEL BELOW
BRASS BALL VALVES (IPS x IPS)					
H50026	IBVT600LF212	2-1/2" x 2-1/2" BRASS IPS BALL VALVE	2	14	<input type="checkbox"/>
H50027	IBVT600LF3	3" x 3" BRASS IPS BALL VALVE	2	4	<input type="checkbox"/>
H50028	IBVT600LF4	4" x 4" BRASS IPS BALL VALVE	1	2	<input type="checkbox"/>

FEATURES & BENEFITS

- Brass Construction • IPS Connection • 400 WOG • Full Port
- Lead-Free • Complies with IAPMO / ANSI Z1157-2014el
- Complies with NSF / ANSI 14-2010a

	A	B	C	D	E	F	G
2-1/2"	5.55	1.06	1.06	ø2.50	2-1/2" - 8 NPT	9.45	4.64
3"	6.38	1.14	1.14	ø3.03	3" - 8 NPT	9.45	5.02
4"	7.55	1.20	1.20	ø3.94	4" - 8 NPT	9.45	5.92



PAGE 1 OF 2

CONTINUED ON PAGE 2

JOB NAME: _____

JOB LOCATION: _____

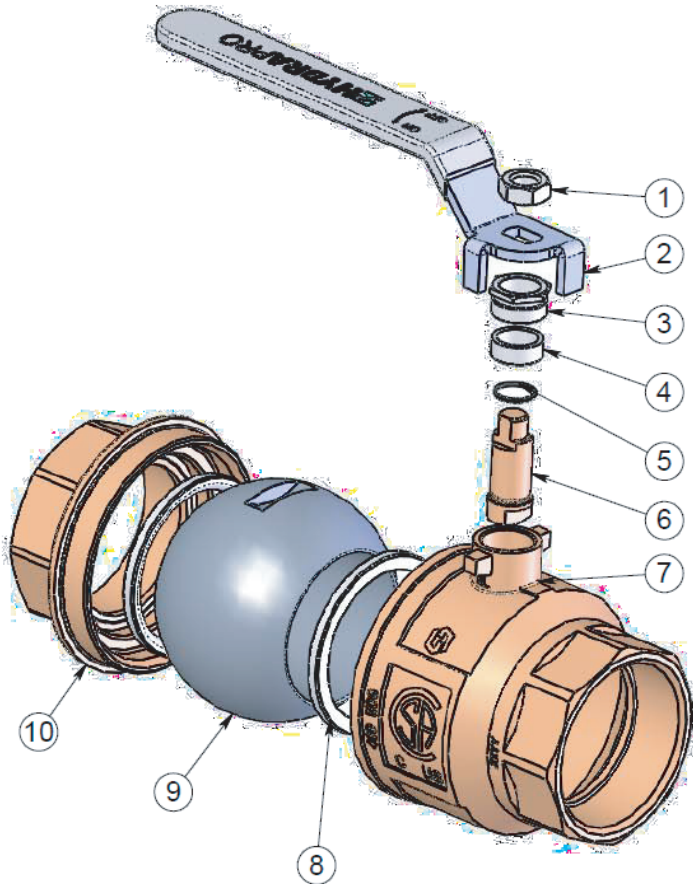
CONTRACTOR: _____ DATE: _____

ITEM TAG: _____

ENGINEER APPROVAL: _____ DATE: _____

PART NUMBER: _____

2½" - 4" IPS x IPS BRASS BALL VALVES: FULL PORT, 400 WOG



NO.	PART	MATERIAL
1	Hex-Nut	Steel
2	Handle	Steel
3	Packing Nut	Brass
4	Packing Gland	PTFE
5	O-Ring	EPDM
6	Stem	C36000 Brass
7	Body	C46500 Brass
8	Seats	PTFE
9	Ball	Stainless Steel
10	Bonnet	C46500 Brass

PAGE 2 OF 2

JOB NAME: _____

JOB LOCATION: _____

CONTRACTOR: _____ DATE: _____

ITEM TAG: _____

ENGINEER APPROVAL: _____ DATE: _____

PART NUMBER: _____