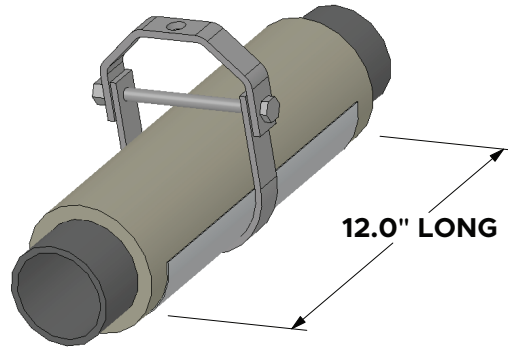
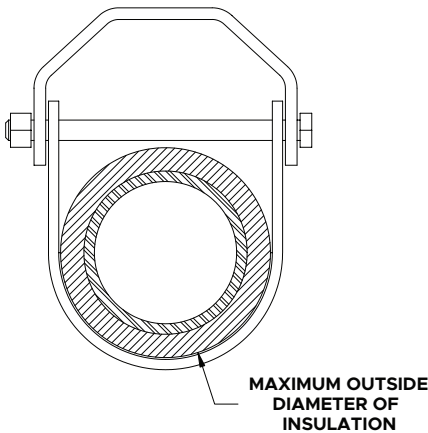


INSULATION PROTECTION SHIELDS

PART #	MODEL #	DESCRIPTION	INNER CARTON QTY	MASTER CARTON QTY	SELECT MODEL BELOW
ELECTROPLATED INSULATION PROTECTION SHIELDS					
H33611	HMSH12E	1-7/8" x 12" 18 Gauge (for 1-1/2")	1	50	<input type="checkbox"/>
H33627	HMSH2E	2-3/8" x 12" 18 Gauge (for 2")	1	25	<input type="checkbox"/>
H33612	HMSH212E	2-7/8" x 12" 18 Gauge (for 2-1/2")	1	25	<input type="checkbox"/>
H33628	HMSH3E	3-1/2" x 12" 18 Gauge (for 3")	1	25	<input type="checkbox"/>
H33629	HMSH4E	4-1/2" x 12" 18 Gauge (for 4")	1	25	<input type="checkbox"/>
H33630	HMSH5E	5-5/8" x 12" 18 Gauge (for 5")	1	25	<input type="checkbox"/>
H33631	HMSH6E	6-5/8" x 12" 18 Gauge (for 6")	1	25	<input type="checkbox"/>
H33632	HMSH8E	8-5/8" x 12" 16 Gauge (for 8")	1	25	<input type="checkbox"/>
H33613	HMSH10E	10-3/4" x 12" 16 Gauge (for 10")	1	-	<input type="checkbox"/>



- Complies with MSS SP-58, WW-H-171-E and A-A-1192A (Does Not Apply to 2", 6" & 8")



CLEVIS	OUTSIDE DIAMETER	STEEL GAUGE
1-1/2"	1.90	18 GA
2"	2.38	18 GA
2-1/2"	2.88	18 GA
3"	3.50	18 GA
4"	4.50	18 GA
5"	5.56	18 GA
6"	6.63	18 GA
8"	8.63	16 GA
10"	10.75	16 GA

JOB NAME: _____

JOB LOCATION: _____

CONTRACTOR: _____ DATE: _____

ITEM TAG: _____

ENGINEER APPROVAL: _____ DATE: _____

PART NUMBER: _____