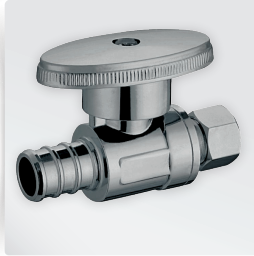


WATER SUPPLY STRAIGHT STOP VALVE

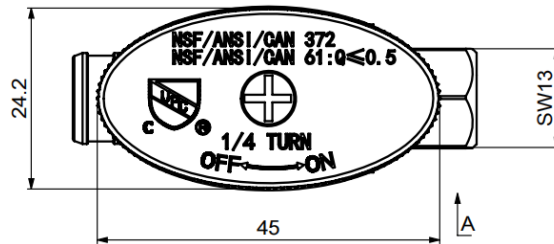
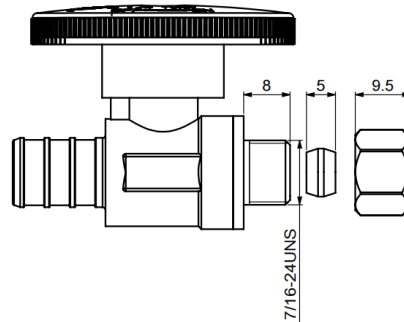
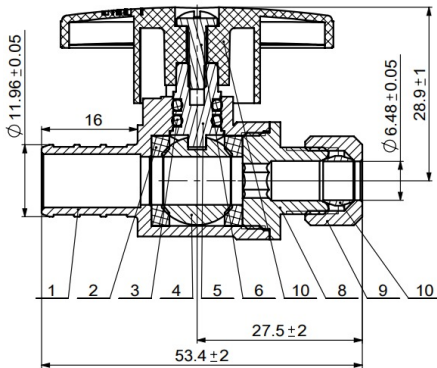


PART #	MODEL #	DESCRIPTION	INNER CARTON QTY.	MASTER CARTON QTY.	SELECT MODEL BELOW
ICEMAKER PEX INLET x COMPRESSION OUTLET WITH OVAL HANDLE					
H49004	HPQTOHLFPEXSS1214	1/2" PEX x 1/4" OD	24	96	<input type="checkbox"/>



FEATURES & MATERIALS

- Chrome Plated Brass
- Internal Brass Ball
- Teflon Seats
- Pressure: 125 PSI Maximum
- Individually Bagged and Barcoded
- cUPC Approved and Lead-Free
- Temperature: 40° - 140° Fahrenheit
- Material: Machined One Piece Brass Body



NO.	Part	Material
10	Oval Handle	ABS
9	1/4" Comp. Ring	C27400
8	1/4"Nut	C37700
7	Bonnet	C46500
6	Handle Screw	SS304
5	Stem	C37100
4	Ball	C46500
3	O-Ring	EPDM
2	Seal Seat	PTFE
1	Body	C46500

JOB NAME: _____

JOB LOCATION: _____

CONTRACTOR: _____ DATE: _____

ITEM TAG: _____

ENGINEER APPROVAL: _____ DATE: _____

PART NUMBER: _____