

WATER SUPPLY ANGLE STOP VALVE

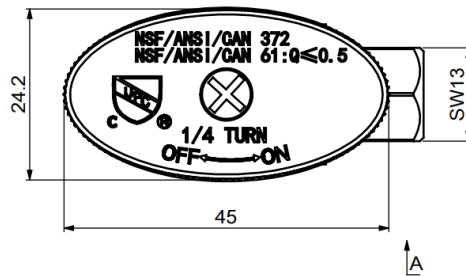
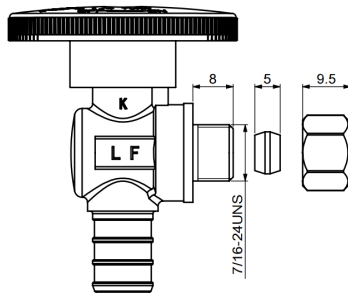
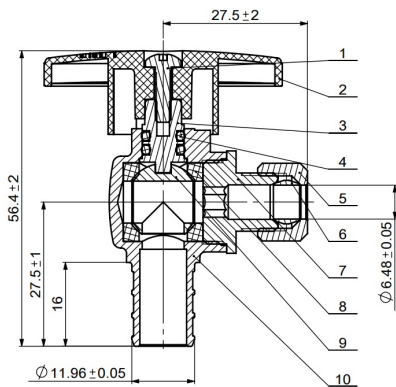


PART #	MODEL #	DESCRIPTION	INNER CARTON QTY.	MASTER CARTON QTY.	SELECT MODEL BELOW
ICEMAKER PEX INLET x COMPRESSION OUTLET WITH OVAL HANDLE					
H49005	HPQTOHLFPEXAS1214	1/2" PEX x 1/4" OD	24	96	<input type="checkbox"/>



FEATURES & MATERIALS

- Chrome Plated Brass
- Internal Brass Ball
- Teflon Seats
- Pressure: 125 PSI Maximum
- Individually Bagged and Barcoded
- cUPC Approved and Lead-Free
- Temperature: 40° - 140° Fahrenheit
- Material: Machined One Piece Brass Body



NO.	Part	Material
10	Body	C46500
9	Ball	C46500
8	Seal Seat	PTFE
7	Bonnet	C46500
6	1/4" Comp. Ring	C27400
5	1/4"Nut	C37700
4	O-Ring	EPDM
3	Stem	C37100
2	Oval Handle	ABS
1	Handle Screw	SS304

JOB NAME:

JOB LOCATION:

CONTRACTOR:

DATE:

ITEM TAG:

ENGINEER APPROVAL:

DATE:

PART NUMBER: