

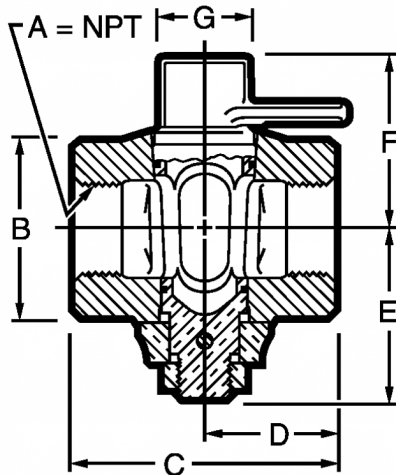
LOCK WING TAMPER-PROOF IRON BODY METER VALVES



PART #	MODEL #	DESCRIPTION (SIZE)	INNER CARTON QTY.	MASTER CARTON QTY.	SELECT MODEL BELOW
LOCK WING TAMPER-PROOF FLATHEAD IRON BODY					
H50095	11118B34	3/4" x 3/4"	1	15	<input type="checkbox"/>
H50096	11118B1	1" x 1"	1	15	<input type="checkbox"/>
H50097	11118B114	1-1/4" x 1-1/4"	1	10	<input type="checkbox"/>
H50098	11118B112	1-1/2" x 1-1/2"	1	7	<input type="checkbox"/>
H50099	11118B2	2" x 2"	1	4	<input type="checkbox"/>

FEATURES & BENEFITS

- O-ring sealed key
- For use with Gas
- 100 PSIG Maximum working pressure
- Inlet and outlet with internal IP (FIP) threads



A
B
C
D
E
F
G

	3/4"	1"	1-1/4"	1-1/2"	2"
A	3/4"-14	1"-11-1/2	1-1/4"-11-1/2	1-1/2"-11-1/2	2"-11-1/2
B	1-21/32"	1-15/16"	2-5/16"	2-11/16"	3-5/32"
C	3-5/32"	3-13/16"	4-1/4"	4-5/8"	5-9/32"
D	1-37/64"	1-29/32"	2-1/8"	2-5/16"	2-41/64"
E	2"	2-3/16"	2-19/32"	2-23/32"	3-19/64"
F	1-51/64"	2-3/32"	2-21/64"	2-47/64"	3-11/64"
G	59/64"	1-11/64"	1-27/64"	1-19/32"	1-29/32"

JOB NAME: _____

JOB LOCATION: _____

CONTRACTOR: _____

DATE: _____

ITEM TAG: _____

ENGINEER APPROVAL: _____

DATE: _____

PART NUMBER: _____