

BRASS T-HANDLE BALL VALVES (IPS x IPS)



PART #	MODEL #	DESCRIPTION (SIZE)	INNER CARTON QTY.	MASTER CARTON QTY.	SELECT MODEL BELOW
BRASS T-HANDLE BALL VALVES (IPS x IPS)					
H50031	IBVT600LF12TH	1/2" BRASS IPS T-HANDLE BALL VALVE	20	100	<input type="checkbox"/>
H50032	IBVT600LF34TH	3/4" BRASS IPS T-HANDLE BALL VALVE	10	60	<input type="checkbox"/>
H50033	IBVT600LF1TH	1" BRASS IPS T-HANDLE BALL VALVE	8	40	<input type="checkbox"/>

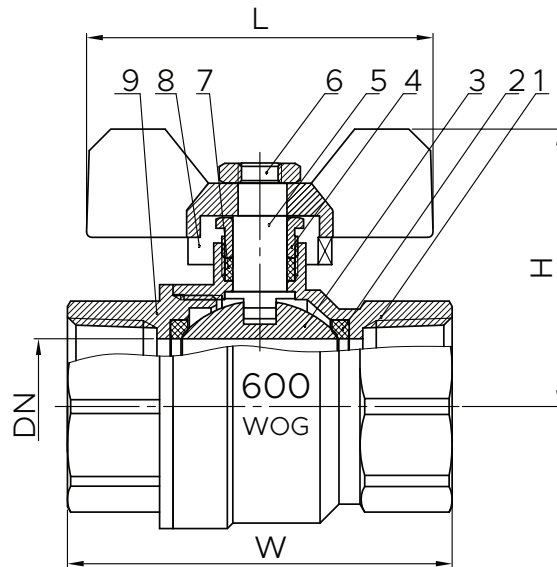
FEATURES & BENEFITS

- Brass Construction
- Full Port
- Lead-Free
- 600 WOG
- T-Handle Design
- UPC Certified
- **CV Rating:** 21.417 US gal/min
- **C Rating:** ASME Class Rating 300



SIZE	DN	W	H	L	Wt.(g)
1/2"	13.3	48	36.5	52	139
3/4"	19	58	40.7	52	230
1"	25	71	51.2	64	406

NO.	PART	MATERIAL
1	Body	Lead-Free Brass
2	Seat	PTFE
3	Ball	Stainless Steel
4	Packing Nut	Brass
5	Stem	Brass
6	Handle Nut	Plated Steel
7	Packing	PTFE
8	Handle	AL-Alloy
9	Cap	Lead-Free Brass



JOB NAME: _____

JOB LOCATION: _____

CONTRACTOR: _____ **DATE:** _____

ENGINEER APPROVAL: _____ **DATE:** _____

ITEM TAG: _____

PART NUMBER: _____