

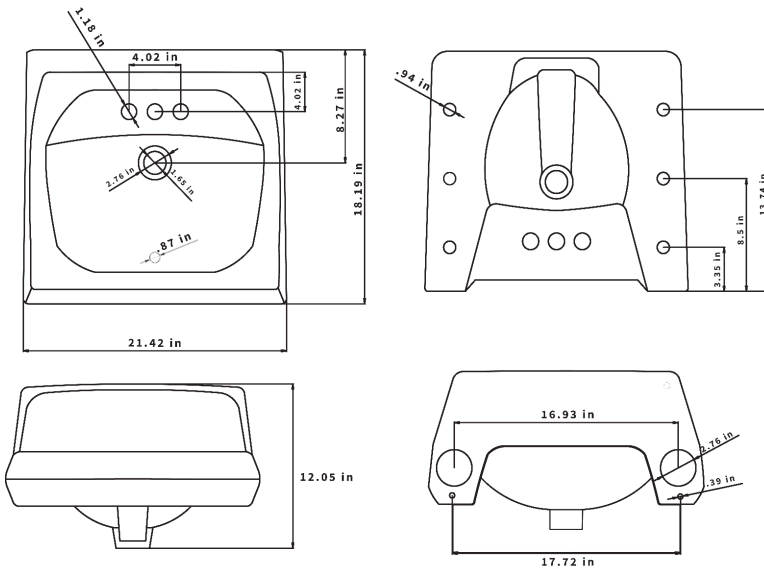
WALL HUNG LAVATORY SINKS



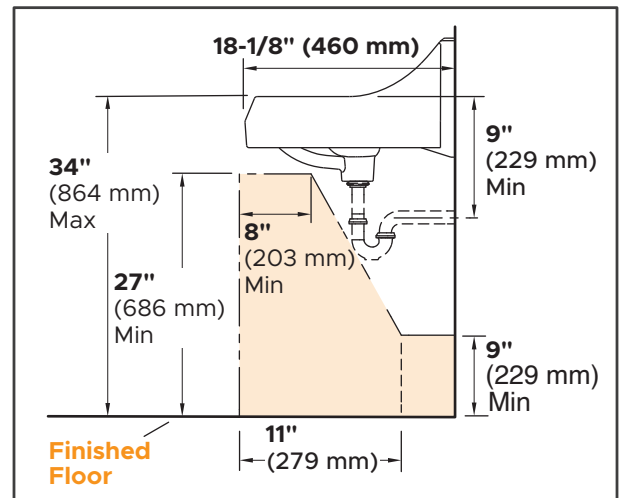
PART #	MODEL #	DESCRIPTION (SIZE)	INNER CARTON QTY.	MASTER CARTON QTY.	SELECT MODEL BELOW
WALL HUNG LAVATORY SINK					
H49100	HPWHL4	4" CENTER	1	16	<input type="checkbox"/>
H49101	HPWHL8	8" CENTER	1	16	<input type="checkbox"/>

PRODUCT DETAILS

- Vitreous China
- 4" or 8" Center Options
- Front Overflow
- White



SPACIAL CONSIDERATIONS & REQUIREMENTS



RECOMMENDED ADA INSTALLATION

JOB NAME:

JOB LOCATION:

CONTRACTOR:

DATE:

ITEM TAG:

ENGINEER APPROVAL:

DATE:

PART NUMBER: