

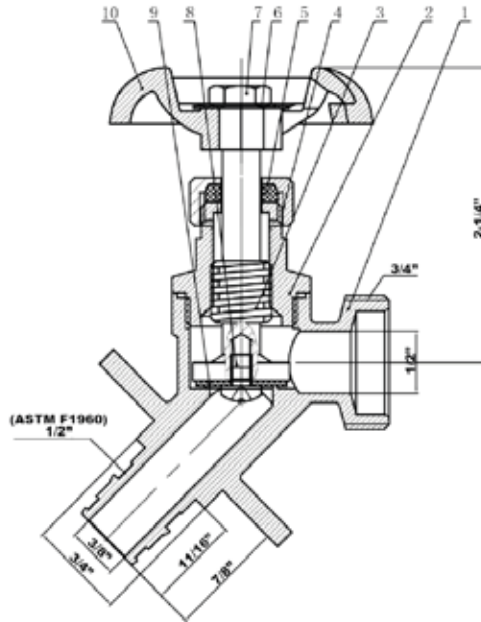
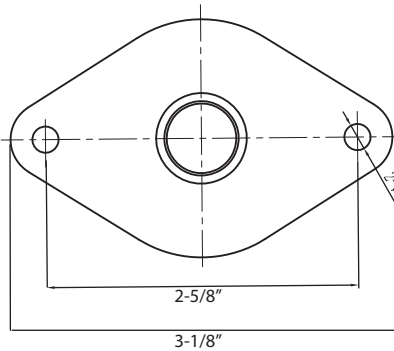
LARGE FLANGE SILLCOCK F1960



Part #	Model #	Description (Size)	Inner Carton Qty	Master Carton Qty	Select Model Below
LARGE FLANGE SILLCOCK with F1960 PEX INLET (LEAD FREE)					
H51403	HPVSCWPB12LF	1/2" F1960 PEX x 3/4" MHT LARGE FLANGE SILLCOCK	10	100	<input type="checkbox"/>



- Multi-Turn • Lead-Free • 3/4" MHT Outlet
- cUPC • Rough Brass Construction
- Tested to ASTM F1960 Standards



NO.	Part Name	Material
1	Body	Lead Free Brass
2	Nut	Steel
3	Stem	Lead Free Brass
4	Nut	Brass
5	Packing	PTFE
6	Name Plate	Aluminum Alloy
7	Handle Nut	Plated Steel
8	Handle	Cast Iron
9	Packing	EPDM
10	Screw	Stainless Steel

JOB NAME:

JOB LOCATION:

CONTRACTOR:

ENGINEER APPROVAL:

DATE:

DATE:

ITEM TAG:

PART NUMBER: