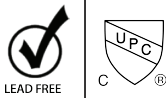


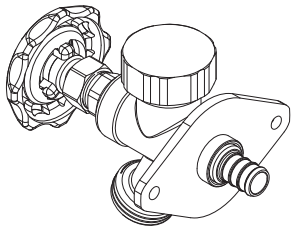
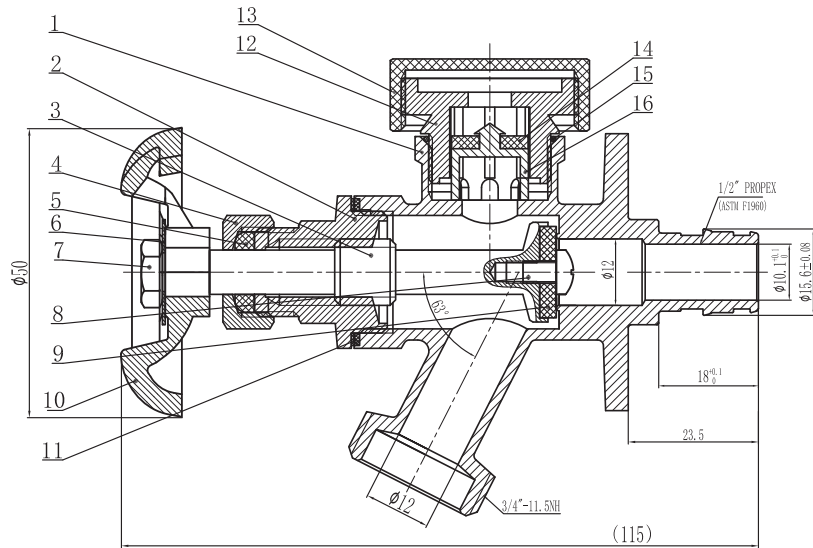
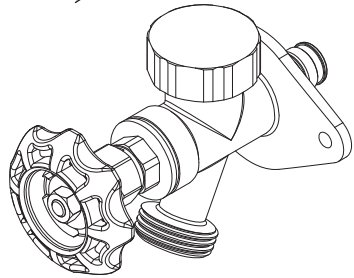
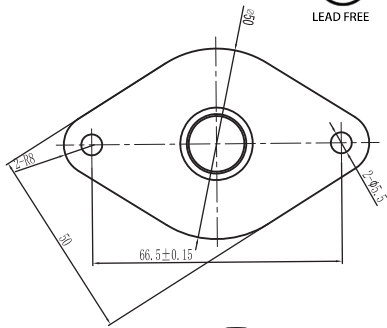
## LARGE FLANGE SILLCOCK WITH VACUUM BREAKER



Part #	Model #	Description (Size)	Inner Carton Qty	Master Carton Qty	Select Model Below
<b>LARGE FLANGE SILLCOCK with F1960 PEX INLET (LEAD FREE)*</b>					
H51430	HPVSCVBWP12LF	1/2" F1960 PEX x 3/4" MHT LARGE FLANGE SILLCOCK WITH VACUUM BREAKER	10	100	<input type="checkbox"/>



- Multi-Turn • Lead-Free • 3/4" MHT Outlet
- Includes Vacuum Breaker • cUPC
- Tested to ASTM F1960 Standards



NO.	PART	MATERIAL	NO.	PART	MATERIAL	NO.	PART	MATERIAL
1	Body	Lead-Free Brass	7	Handle Nut	Stainless Steel	13	Dust Cover	PE
2	Nut	Lead-Free Brass	8	Screw	Stainless Steel	14	Washer	EPDM
3	Stem	Lead-Free Brass	9	Packing	EPDM	15	O-Ring	NBR
4	Nut	Brass	10	Handle	Cast Iron	16	Piston	PE
5	Packing	PTFE	11	Washer	PTFE			
6	Nameplate	Aluminum Alloy	12	Piston Cover	PE			

JOB NAME:

JOB LOCATION:

CONTRACTOR:

ENGINEER APPROVAL:

DATE:

DATE:

ITEM TAG:

PART NUMBER: