

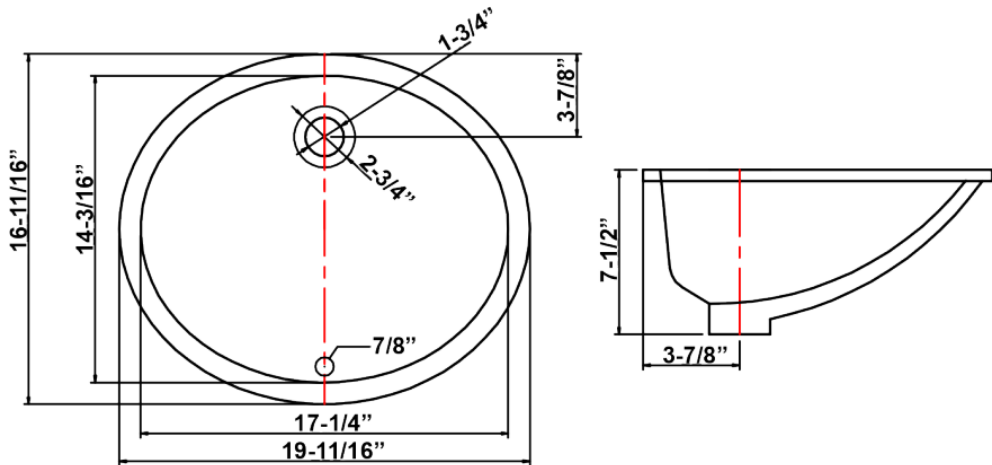
## UNDERMOUNT LAVATORY (20" x 17")



PART #	MODEL #	DESCRIPTION (SIZE)	INNER CARTON QTY.	PALLET QTY.	SELECT MODEL BELOW
<b>UNDERMOUNT LAVATORY</b>					
H49221	HPUL2017	20" x 17" UNDERMOUNT LAVATORY (WHITE)	1	30	<input type="checkbox"/>
H49222	HPUL2017B	20" x 17" UNDERMOUNT LAVATORY (BISCUIT)	1	30	<input type="checkbox"/>

### PRODUCT DETAILS & DIMENSIONS

- Vitreous China
- cUPC Approved
- Sink Clips Not Included



JOB NAME: \_\_\_\_\_

JOB LOCATION: \_\_\_\_\_

CONTRACTOR: \_\_\_\_\_ DATE: \_\_\_\_\_

ITEM TAG: \_\_\_\_\_

ENGINEER APPROVAL: \_\_\_\_\_ DATE: \_\_\_\_\_

PART NUMBER: \_\_\_\_\_