

## UNIVERSAL URINAL

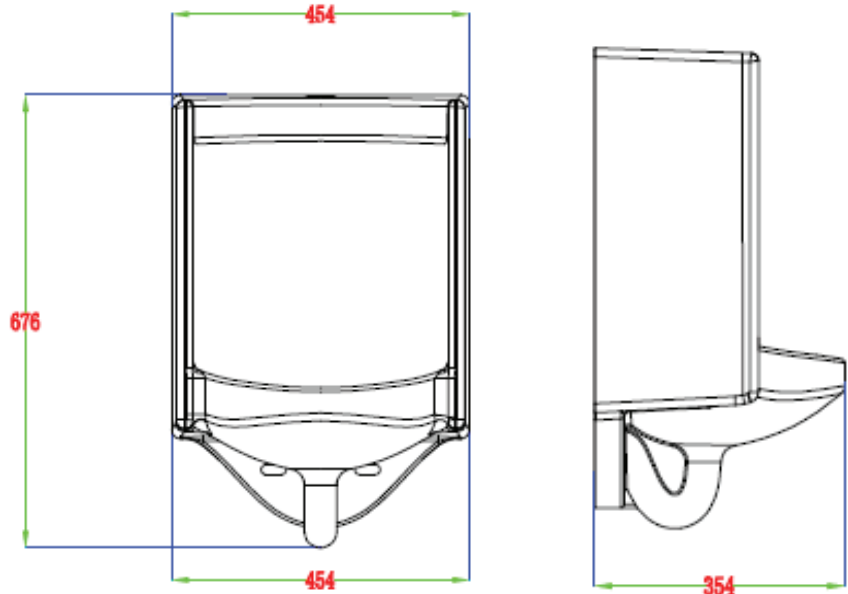


PART #	MODEL #	DESCRIPTION	SKID QTY.	PRODUCT
<b>3/4" TOP SPUD UNIVERSAL URINAL</b>				
H49126	HPTSU	3/4" TOP SPUD UNIVERSAL URINAL	TBD	<input type="checkbox"/>

### PRODUCT DETAILS

- White
- ADA Compliant
- 3/4" Top Spud for Exposed Flushometer Inlet
- 0.125 gpf to 1.0 gpf (0.5 lpf to 3.8 lpf), when used with the appropriate flushometer

- INCLUDES:**
- Wall Bracket
  - 2" Outlet Spud
  - Vandal Resistant Outlet Strainer



Listed by IAPMO® as meeting the applicable requirements of the Uniform Plumbing Code®, International Plumbing Code®, and National Plumbing Code of Canada.



Complies with ADA when installed per Section 605 - Urinals of the ADA 2010 Accessible Design Standard with maximum rim height 17" and minimum depth of 13-1/2".

JOB NAME:

JOB LOCATION:

CONTRACTOR:

DATE:

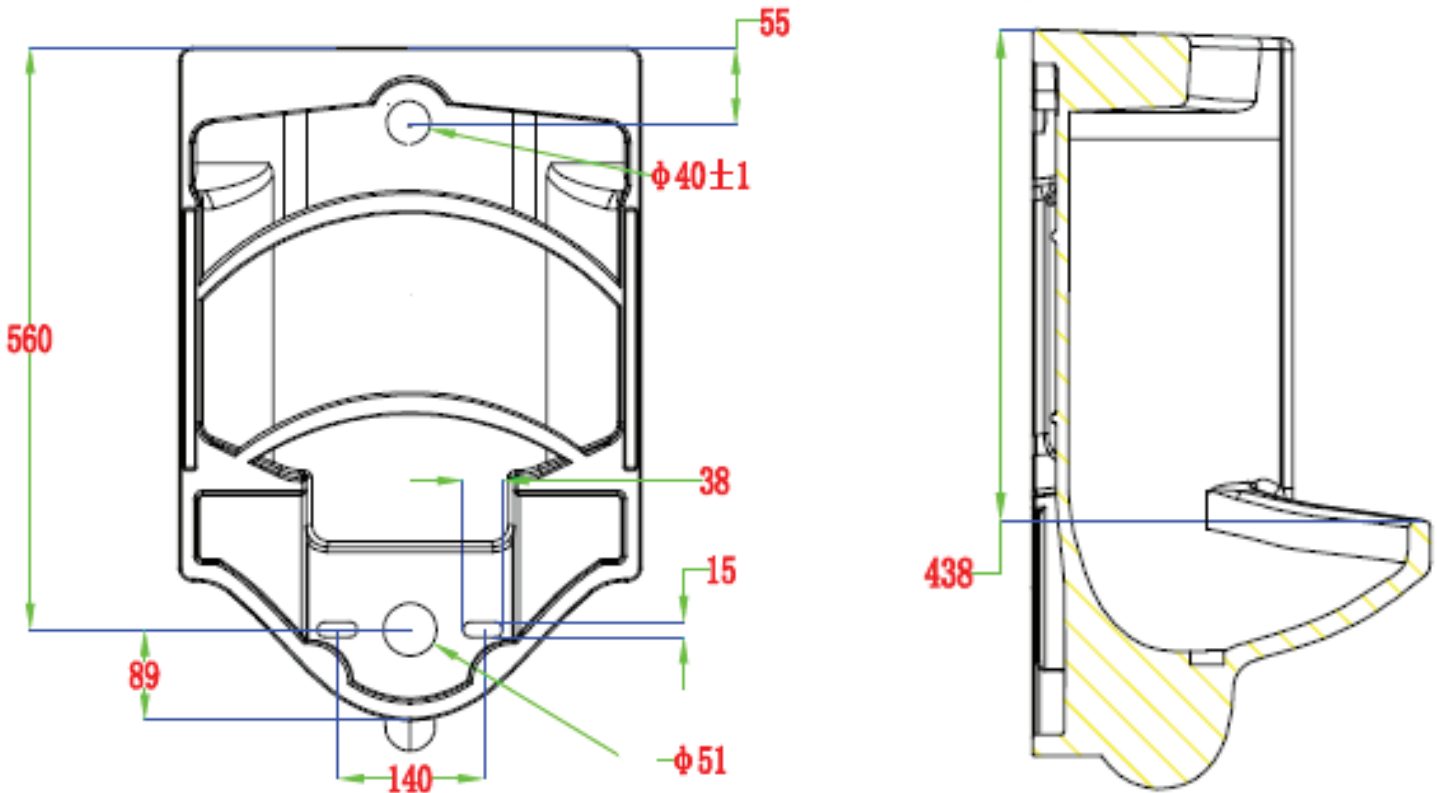
ENGINEER APPROVAL:

DATE:

ITEM TAG:

PART NUMBER:

## UNIVERSAL URINAL



### PAGE 2 of 2



Listed by IAPMO® as meeting the applicable requirements of the Uniform Plumbing Code®, International Plumbing Code®, and National Plumbing Code of Canada.



Complies with ADA when installed per Section 605 - Urinals of the ADA 2010 Accessible Design Standard with maximum rim height 17" and minimum depth of 13-1/2".

JOB NAME:

JOB LOCATION:

CONTRACTOR:

DATE:

ENGINEER APPROVAL:

DATE:

ITEM TAG:

PART NUMBER: