

## COMPACT URINAL

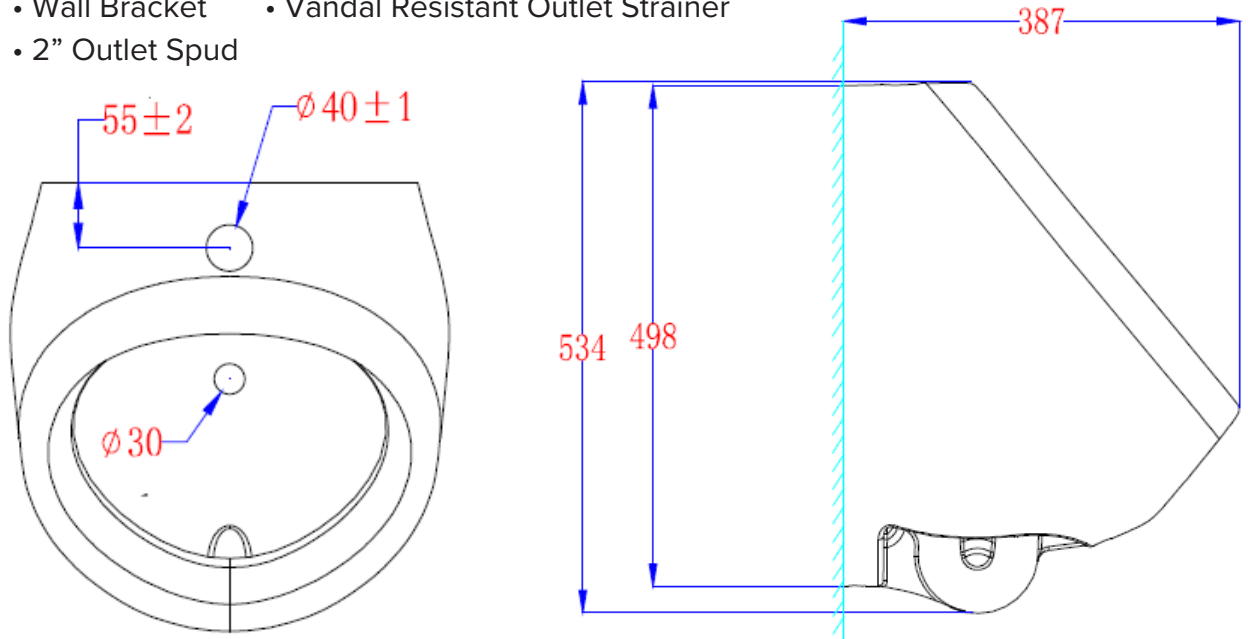


| PART #                              | MODEL # | DESCRIPTION                  | SKID QTY. | PRODUCT                  |
|-------------------------------------|---------|------------------------------|-----------|--------------------------|
| <b>3/4" TOP SPUD COMPACT URINAL</b> |         |                              |           |                          |
| H49125                              | HPSTSU  | 3/4" TOP SPUD COMPACT URINAL | TBD       | <input type="checkbox"/> |

### PRODUCT DETAILS

- White
- ADA Compliant
- 3/4" Top Spud for Exposed Flushometer Inlet
- 0.125 gpf to 1.0 gpf (0.5 lpf to 3.8 lpf), when used with the appropriate flushometer

- INCLUDES:**
- Wall Bracket
  - 2" Outlet Spud
  - Vandal Resistant Outlet Strainer



PAGE 1 of 2



Listed by IAPMO® as meeting the applicable requirements of the Uniform Plumbing Code®, International Plumbing Code®, and National Plumbing Code of Canada.



Complies with ADA when installed per Section 605 - Urinals of the ADA 2010 Accessible Design Standard with maximum rim height 17" and minimum depth of 13-1/2".

JOB NAME:

JOB LOCATION:

CONTRACTOR:

DATE:

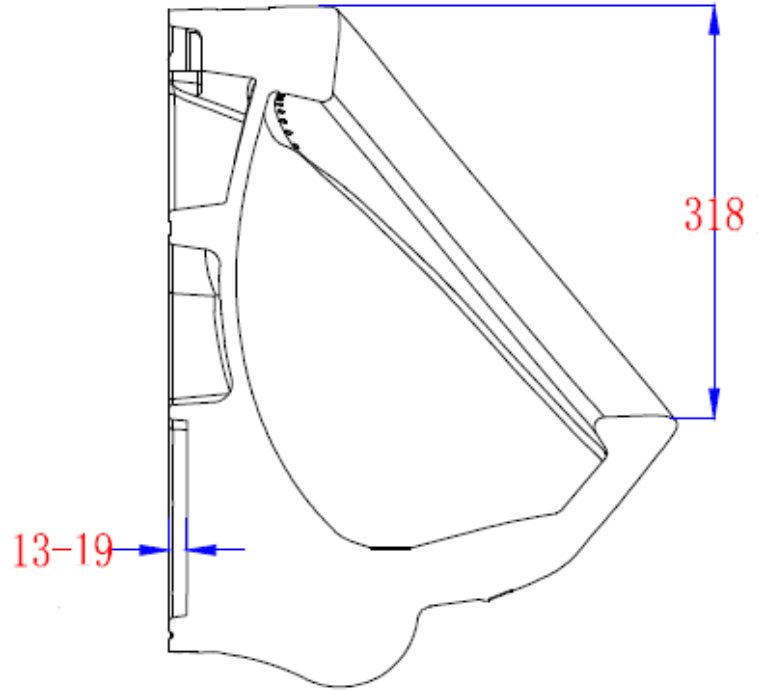
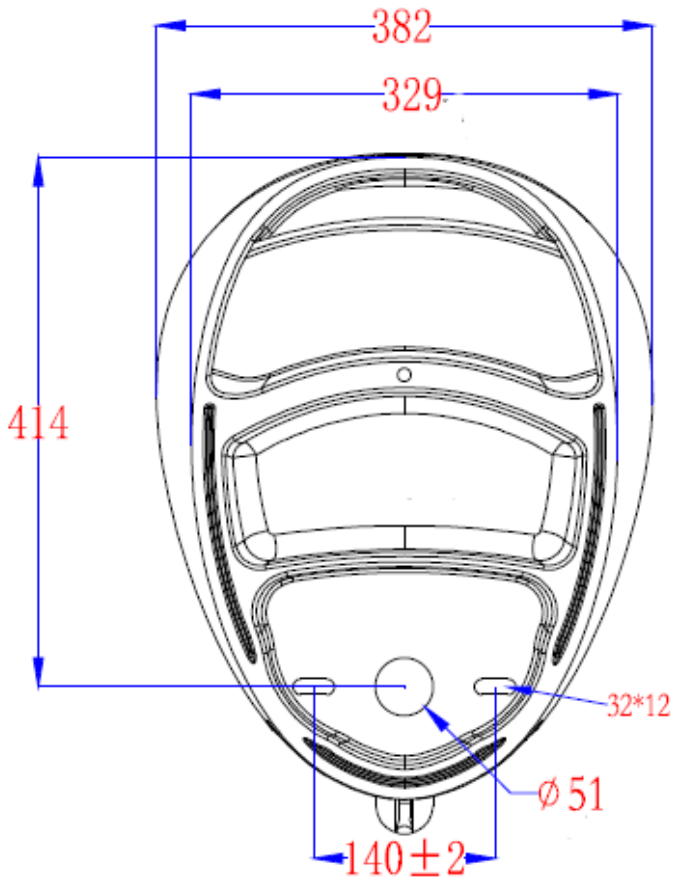
ENGINEER APPROVAL:

DATE:

ITEM TAG:

PART NUMBER:

## COMPACT URINAL



### PAGE 2 of 2



Listed by IAPMO® as meeting the applicable requirements of the Uniform Plumbing Code®, International Plumbing Code®, and National Plumbing Code of Canada.



Complies with ADA when installed per Section 605 - Urinals of the ADA 2010 Accessible Design Standard with maximum rim height 17" and minimum depth of 13-1/2".

JOB NAME:

JOB LOCATION:

CONTRACTOR:

DATE:

ENGINEER APPROVAL:

DATE:

ITEM TAG:

PART NUMBER: