

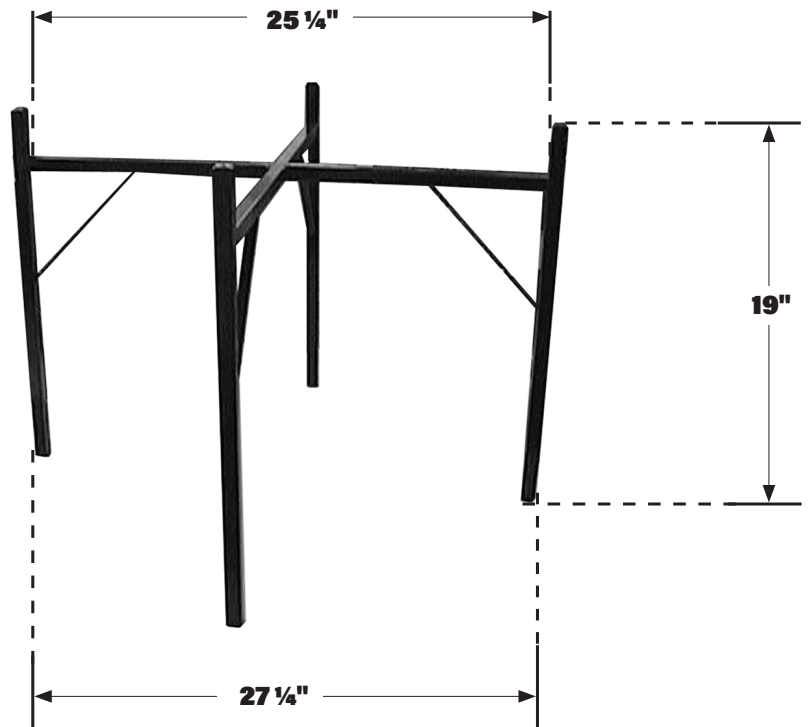
## PREASSEMBLED WATER HEATER STAND



Part #	Model #	Description	INNER CARTON QTY	QTY PER SKID	SELECT MODEL BELOW
<b>PREASSEMBLED WATER HEATER STAND</b>					
H55525	HPPAWHS	PREASSEMBLED WATER HEATER STAND	1	48	<input type="checkbox"/>

**WATER HEATER STAND  
DIMENSIONS, MATERIAL & FEATURES:**

- 25-1/4" Wide x 19" High
- 1" Tubular Steel Construction
- Rated up to 2,205 LBS.  
(For Water Heaters up to 80 Gallons)
- Corrosion Resistant



JOB NAME: \_\_\_\_\_

JOB LOCATION: \_\_\_\_\_

CONTRACTOR: \_\_\_\_\_ DATE: \_\_\_\_\_

ITEM TAG: \_\_\_\_\_

ENGINEER APPROVAL: \_\_\_\_\_ DATE: \_\_\_\_\_

PART NUMBER: \_\_\_\_\_