

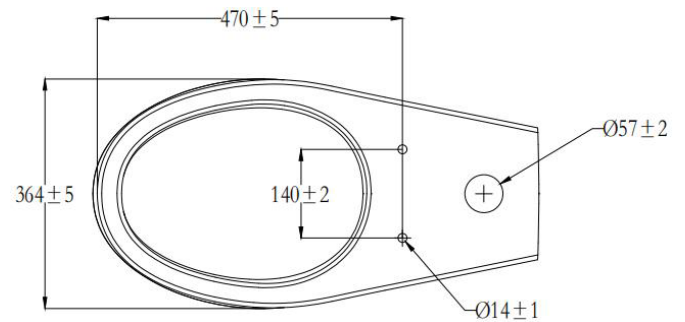
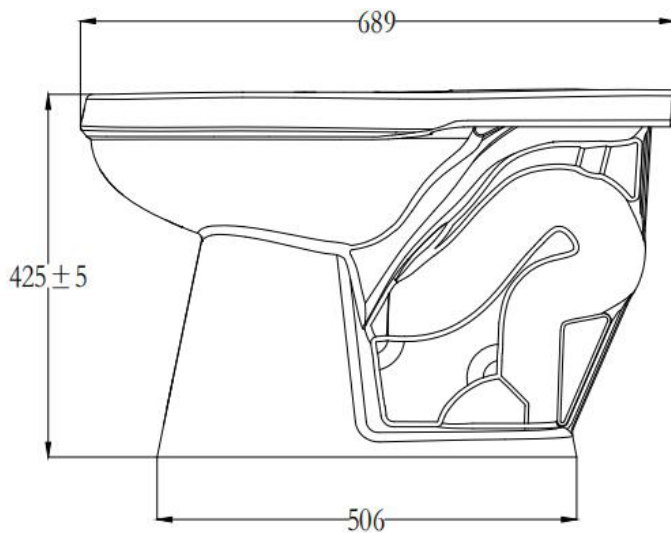
ADA ELONGATED COMMERCIAL TOILET



PART #	MODEL #	DESCRIPTION	SKID QTY.	PRODUCT
ADA ELONGATED, FLOOR MOUNT TOP SPUD TOILET				
H49121	HPCFMAETB	ADA FLOOR MOUNT TOP SPUD ELONGATED COMMERCIAL TOILET	TBD	<input type="checkbox"/>

PRODUCT DETAILS

- ADA Compliant
- Floor-Mount
- White
- 1.28gpf to 1.6 gpf (4.8 lpf to 6.0 lpf)
- Top Spud
- Bottom Outlet
- 10" Rough-In
- 16.7" Height
- Siphon Jet Flush
- Fully Glazed 2" Trapway
- Includes 1-1/2" Spud



JOB NAME:

JOB LOCATION:

CONTRACTOR:

DATE:

ENGINEER APPROVAL:

DATE:

ITEM TAG:

PART NUMBER:



Listed by IAPMO® as meeting the applicable requirements of the Uniform Plumbing Code®, International Plumbing Code®, and National Plumbing Code of Canada.



Complies with ADA & ICC A117.1 accessibility requirements when installed according to the requirements outlined in these standards.