

## HYDRAPRO 1.28 GPF TOILET IN A BOX | WHITE



| PART #                              | MODEL #       | DESCRIPTION                              | MASTER QTY. | PRODUCT |
|-------------------------------------|---------------|--|-------------|---------|
| <b>HYDRAPRO ADA TOILET-IN-A-BOX</b> |               |  |             |         |
| H49233                              | HPAETIBKIT128 | ADA ELONG 1.28GPF<br>HET TOILET IN A BOX | 1           |         |

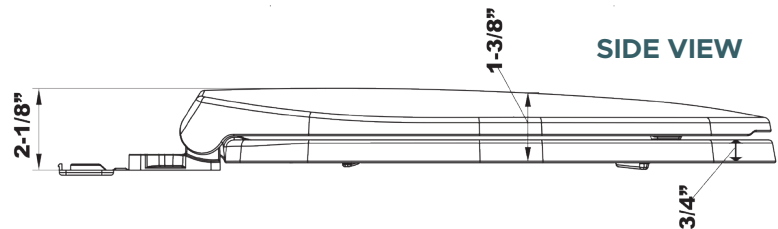
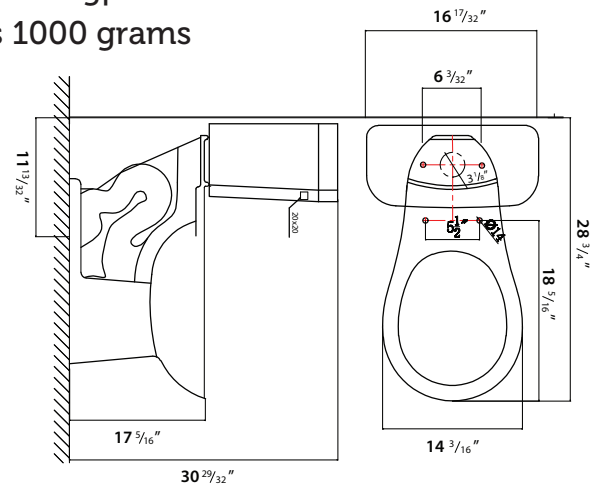
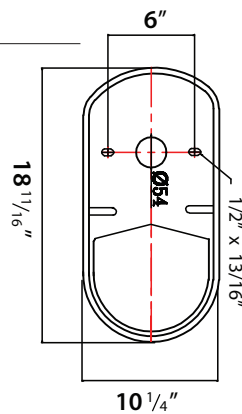
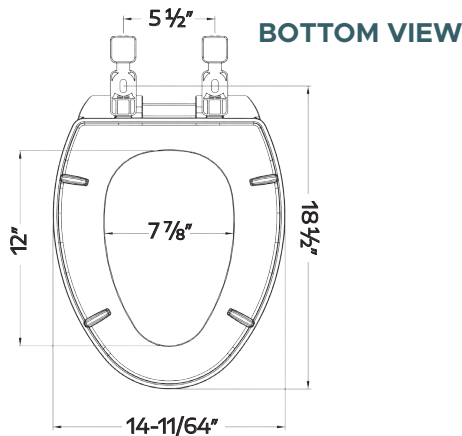
**KIT INCLUDES:** ADA ELONGATED BOWL & TANK, SMOOTH CLOSE SEAT, WAX RING & CLOSET BOLTS

### TOILET DETAILS

- Color: White
- 17" Rim Height
- 12" Rough-In
- 1.28 gpf
- 2-1/2" Fully Glazed Trap
- 3" Flush Valve / Flushes 1000 grams

### SEAT DETAILS

- Elongated
- Smooth Close
- Heavy-Weight Plastic
- Hardware Included



JOB NAME:

JOB LOCATION:

CONTRACTOR:

DATE:

ENGINEER APPROVAL:

DATE:

ITEM TAG:

PART NUMBER:



Listed by IAPMO® as meeting the applicable requirements of the Uniform Plumbing Code®, International Plumbing Code®, and National Plumbing Code of Canada.



Complies with ADA & ICC A117.1 accessibility requirements when installed according to the requirements outlined in these standards.